

design  
make  
play

**SutcliffePlay**

Waggon Lane  
Upton Pontefract  
West Yorkshire WF9 1JS  
Telephone +44 (0) 1977 653200  
Facsimile +44 (0) 1977 653222  
info@sutcliffeplay.co.uk  
www.sutcliffeplay.co.uk

# Orchard

Installation Instructions

# ORU500/ORW500

Rev 04

# ORU500/ORW500

## Orchard Unit Installation Instructions

design  
make  
play  
**SutcliffePlay**

1. Read all instructions carefully before starting assembly.
2. Check using the parts list and fixing kit list that none of the components are missing. If any parts are missing contact our sales office.
3. Plan the final position of the play equipment ensuring there is sufficient space. See ground plan for recommended safety surface area and critical fall height to EN-1176.
4. Excavate the foundation holes in accordance with the ground plan. Orchard is designed to be installed onto a level site.
5. Fit the ground shoes OPA001/OPA002 to the bottom of the required posts, following the instruction sheet.
6. Erect the main posts into the foundation holes. Each post is numbered, and marked with an X on one end. Follow the post assembly sheet to erect each post in the correct sequence. The main connections are secured with M16 bolts, two 24mm long socket drives are required.
7. Assemble the nets onto the posts in accordance with the assembly sheets. Do not concrete the main legs until all the nets, panels, and other activities are fitted, as adjustments may be required.
8. When all the activities are fitted, fill the foundation holes to the required depth with concrete.
9. Do not allow the equipment to be used until the concrete has set (2-3 days) and the required safety surface has been installed.
10. Check that all fixing bolts are fully tightened. Fit the post caps as described on the assembly sheet.
11. After one month check all bolts and tighten if necessary. After this one month period insert the rubber bolt covers as described on the assembly sheet.
12. Follow the maintenance instructions supplied.

### **NB:**

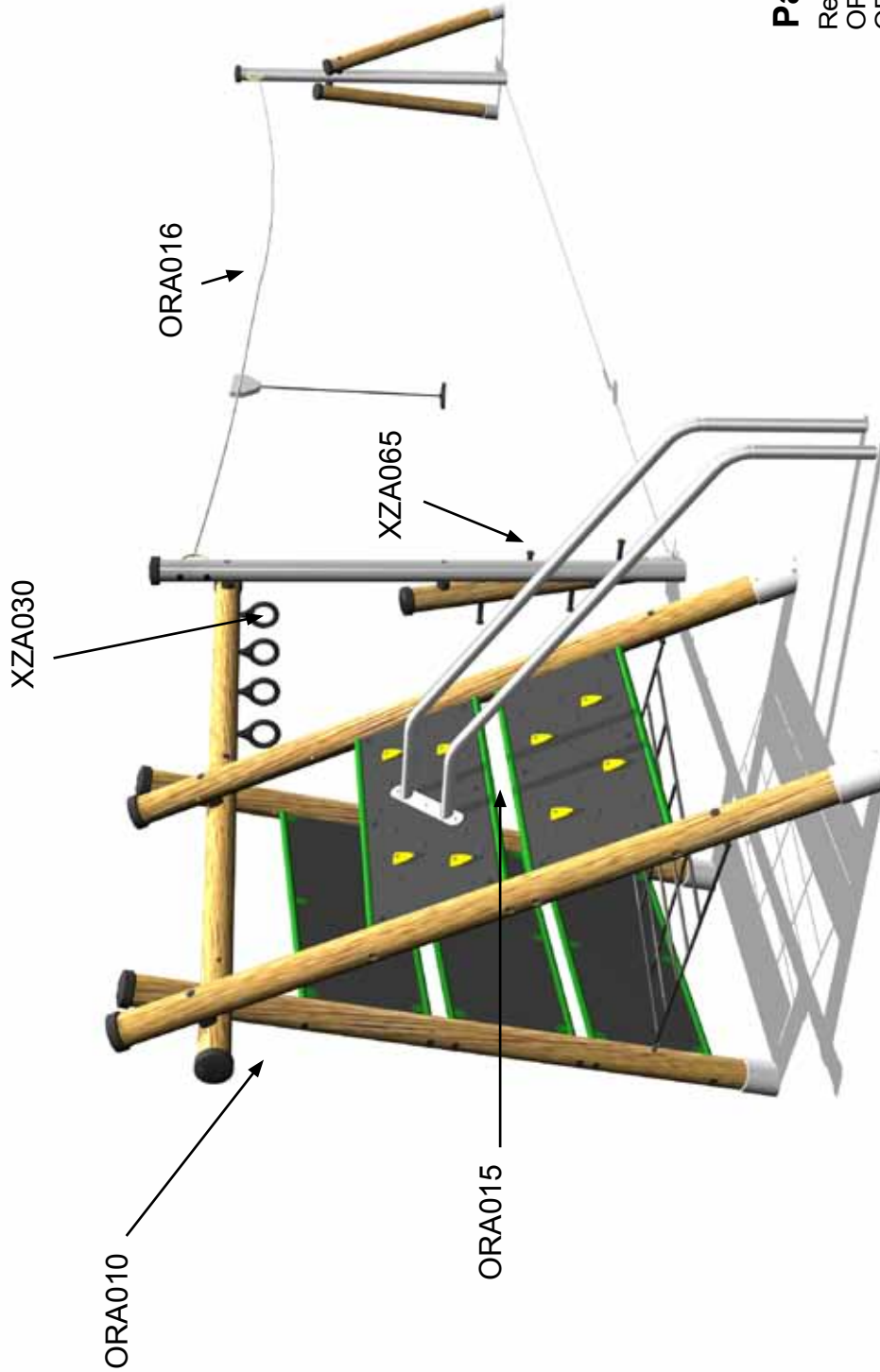
- Installation of this type of equipment requires at least three people, and the use of a lifting tower or platform.
- During installation care must be taken to prevent hazards to children.
- Care should be taken if conditions are abnormal.

### **Tools Required**

- M10 Security screw fixing tool ref FIX195
- Socket for M16 bolt x 2
- Socket for M10 bolt
- Digging Implements

# ORU500/ORW500 Unit

Orchard Unit

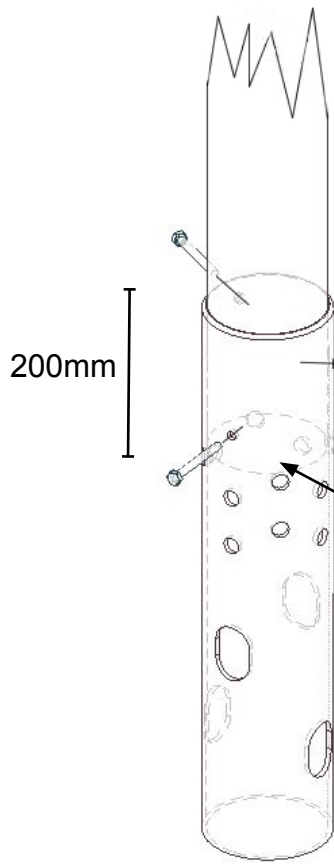


## Parts List

Ref	Description	Qty
OPU500	ORCHARD 500 LOGS	1 SET
OPT50006	STEEL POST	1
OPT50007	STEEL POST	1
ORU500F	UNIT FIXINGS	1 SET
ORR016FA	500 ROPE 1	1
ORA010	CLIMBING WALL	1
ORA015	SLIDEBAR WALL	1
ORA016	GLIDE	1
XZA030	HANDRING	4
XZA065	FOOTHOLDS	4
OPA00(1/2)	GROUND SHOE	7

# Orchard Fixings Methods

## GROUND SHOE



**Important Note:**

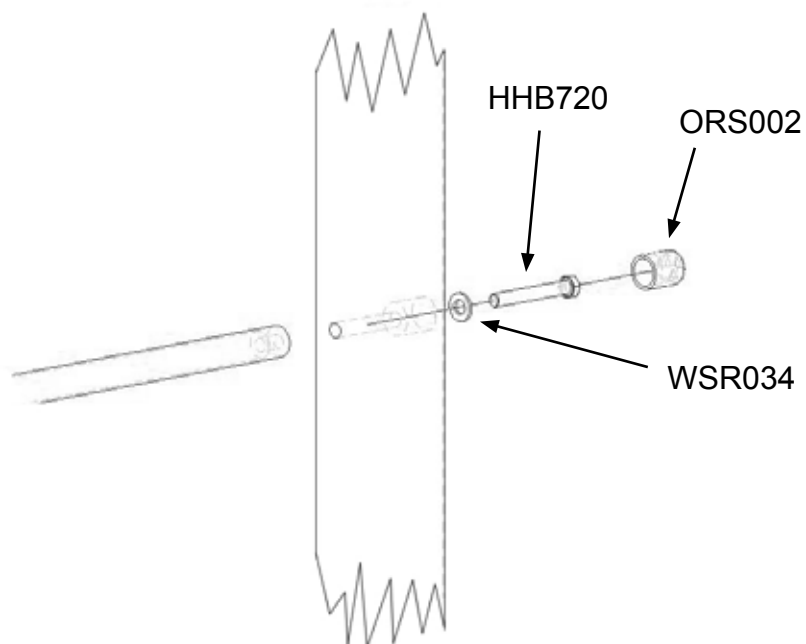
Insert the logs into the ground fixings 200mm only. The bottom of the log should line up with the top aeration holes.

Attach the ground fixings before placing logs into ground holes.

HSS530  
X ON THIS END OF LOG

Ref	Description	Qty Per Shoe
HSS530	M10 Screw Bolt	3
OPA001 or OPA002	Ground Shoe	1

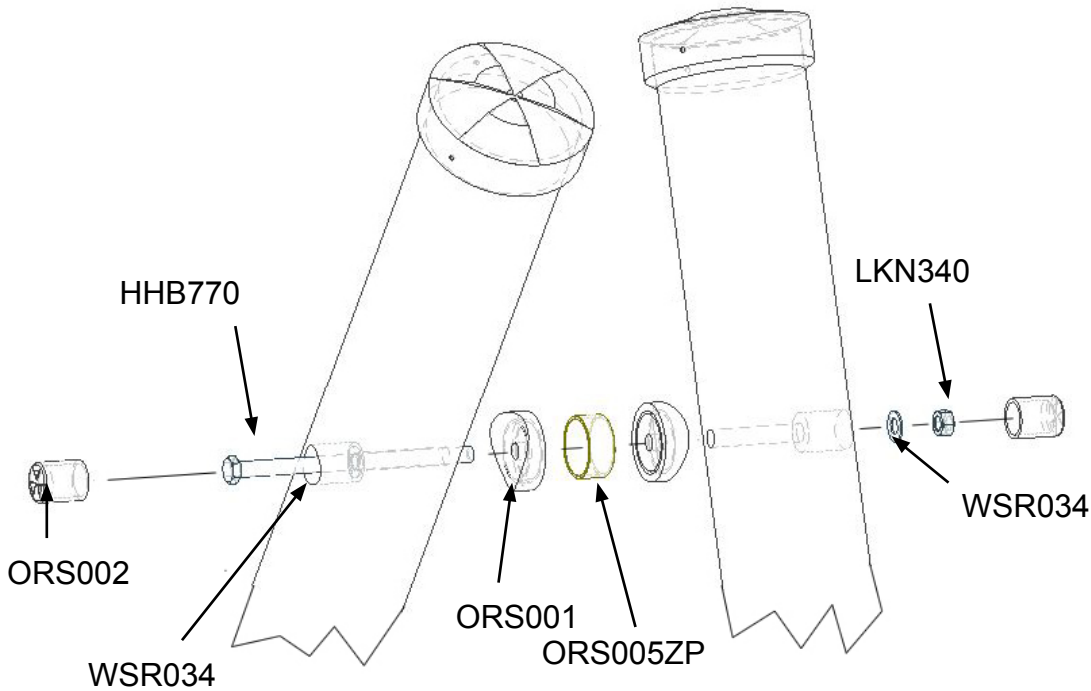
## ACTIVITIES



Ref	Description	Qty Per Joint
HHB720	M16 120mm Bolt	1
WSR034	M16 Washer	1
ORS002	Rubber Plug	1

# Orchard Fixings Methods

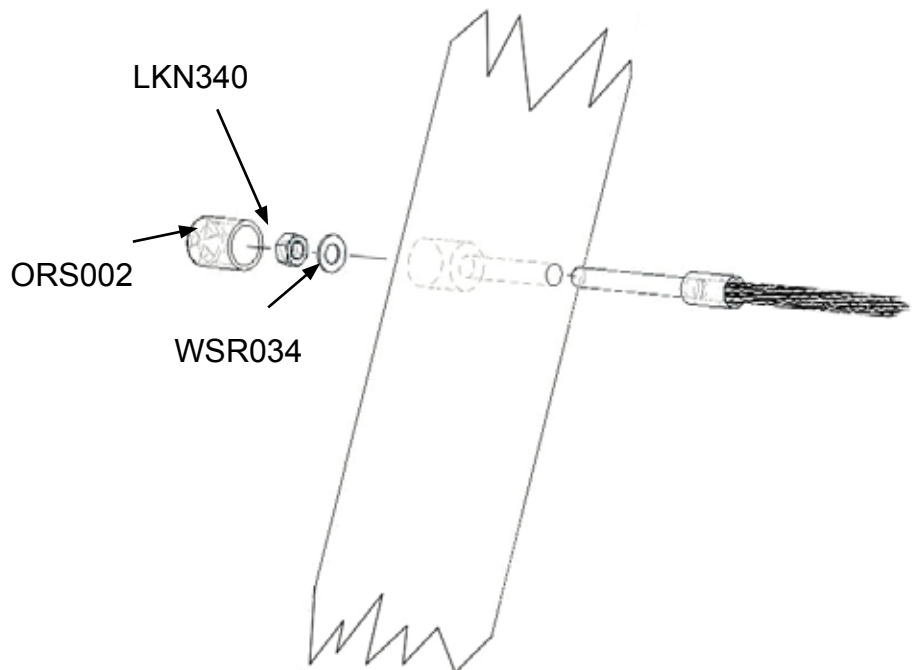
## LOG JOINTS



**Important Note:**  
Twist the rubber spacers so they are flush against the posts.

Ref	Description	Qty Per Joint
ORS001	Timber Rubber Spacer	2
HHB770	M16 x 260 Hex Head Bolt	1
LKN340	M16 Locking Nut	1
WSR034	M16 Washer	2
ORS002	Rubber Plug	2
ORS005ZP	Spacer ring	1

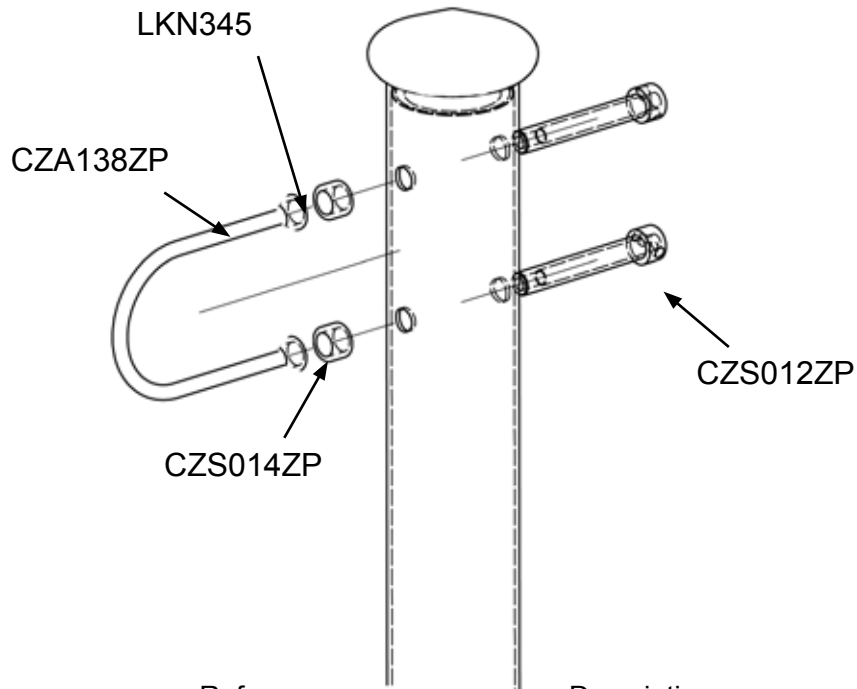
## ROPE FIXINGS



Ref	Description	Qty Per Joint
LKN340	M16 Locking Nut	1
WSR034	M16 Washer	1
ORS002	Rubber Plug	1

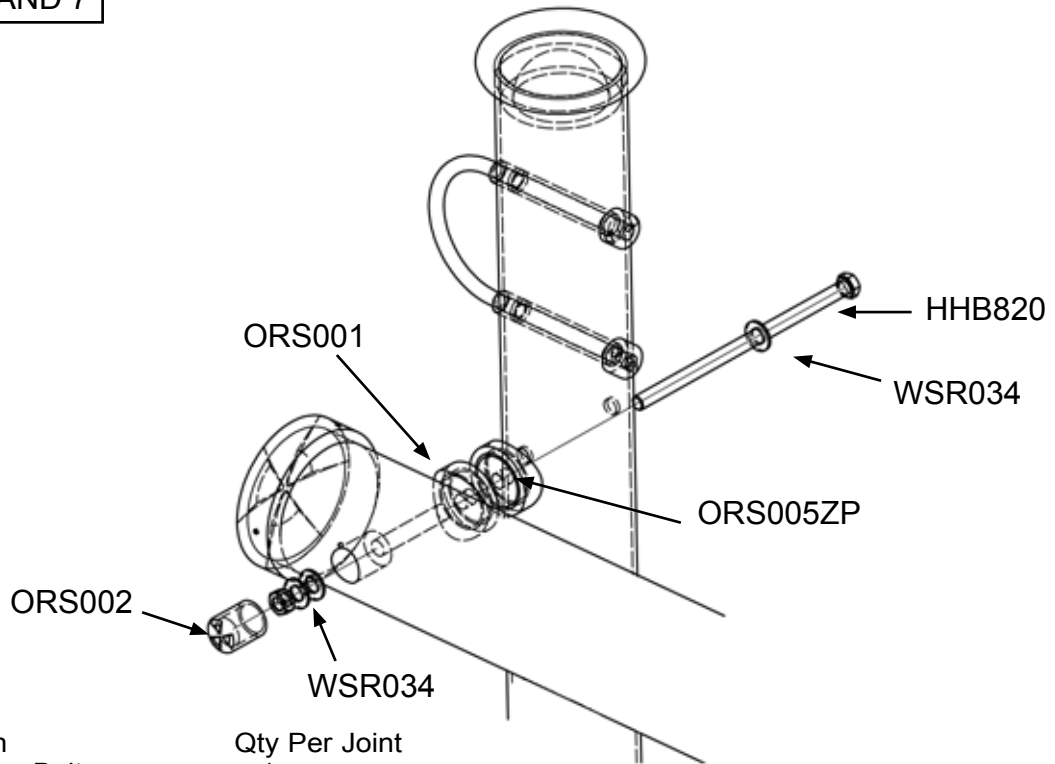
# Orchard Fixings Methods

U BOLT



Ref	Description	Qty Per U Bolt
CZS012ZP	M16 Spindle	2
CZS014ZP	Spindle spacer	2
CZA138ZP	U Bolt	1
LKN345	Flanged M16 Nut	2

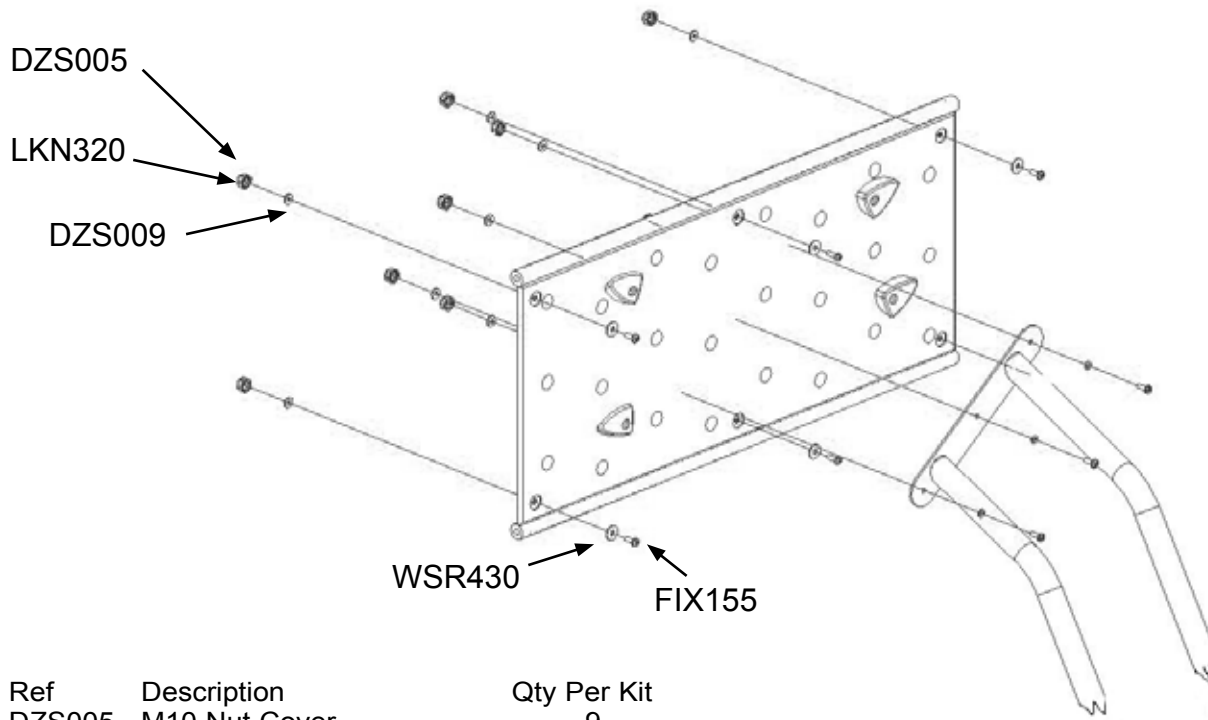
STEEL POSTS 6 AND 7



Ref	Description	Qty Per Joint
HHB820	M16 320mm Bolt	1
WSR034	M16 Washer	3
ORS002	Rubber Plug	1
LKN340	M16 Nut	1
ORS001	Rubber Spacer	2
ORS005ZP	Spacer	1

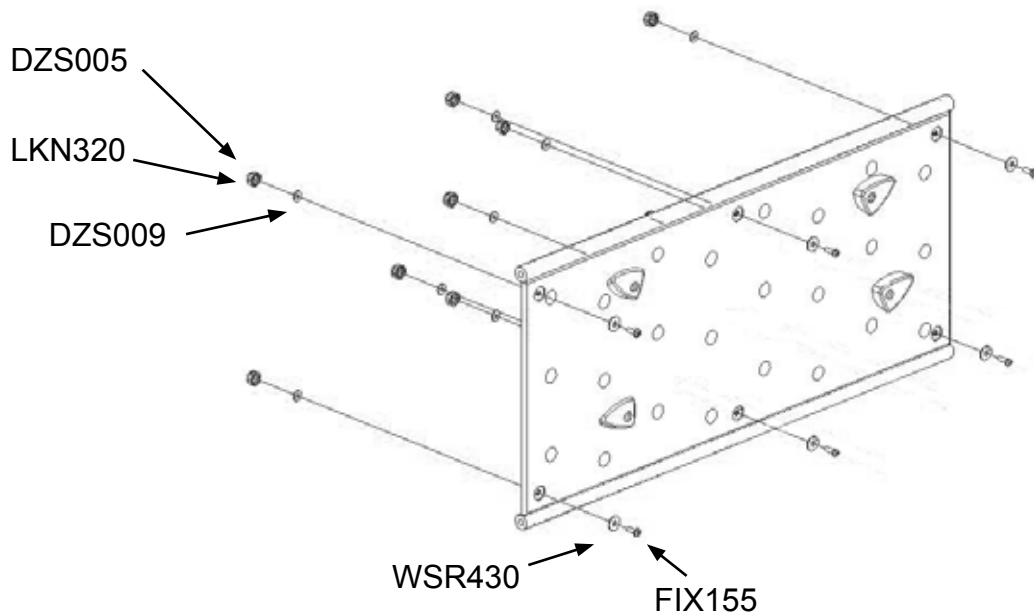
# Orchard Fixings Methods

## SLIDEBARS



Ref	Description	Qty Per Kit
DZS005	M10 Nut Cover	9
DZS009	M10 Step Washer	9
FIX155	M10 X 30 HD	9
LKN320	M10 Nyloc Nut	9
WSR430	Form Washer	6

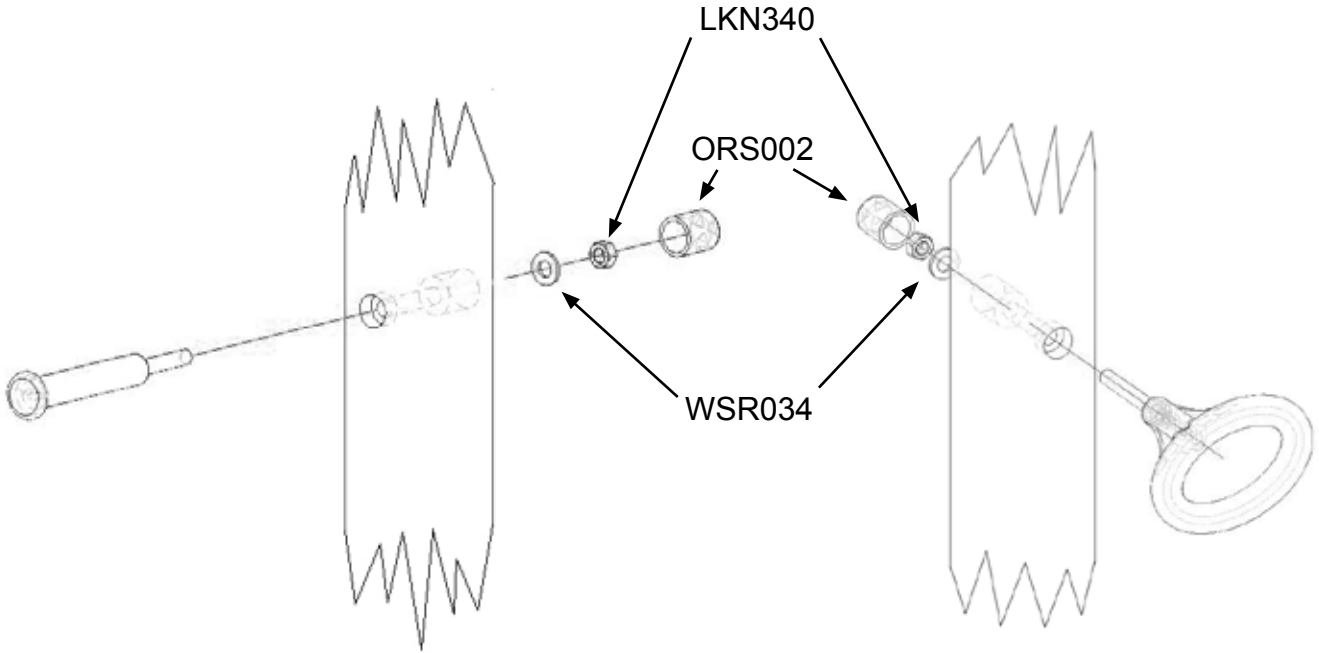
## CLIMBING WALL



Ref	Description	Qty Per Kit
DZS005	M10 Nut Cover	6
DZS009	M10 Step Washer	6
FIX155	M10 X 30 HD	6
LKN320	M10 Nyloc Nut	6
WSR430	Form Washer	6

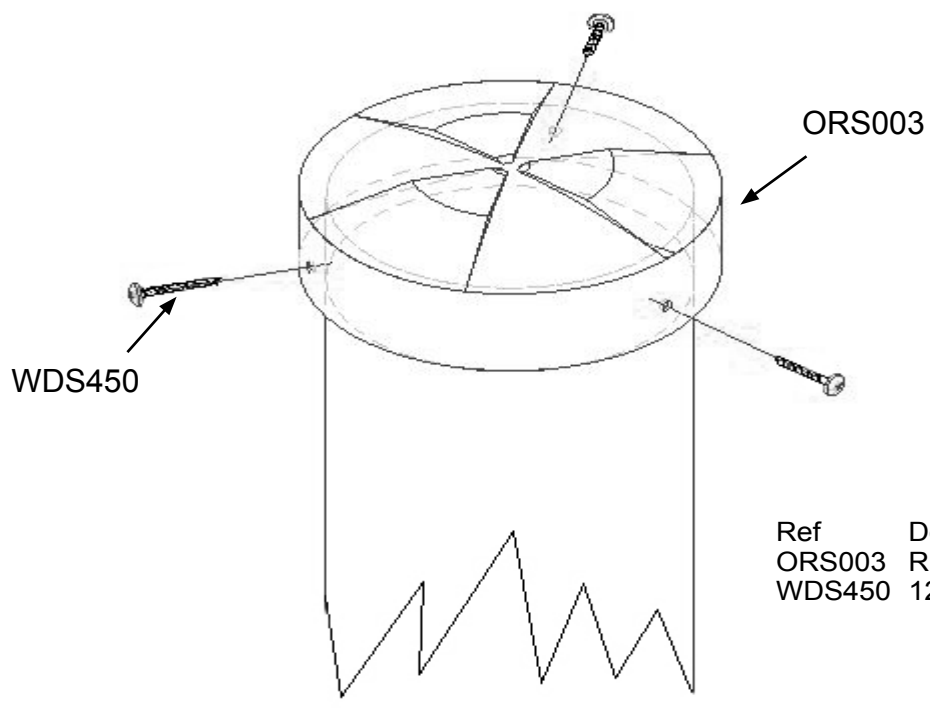
# Orchard Fixings Methods

## GRIPS



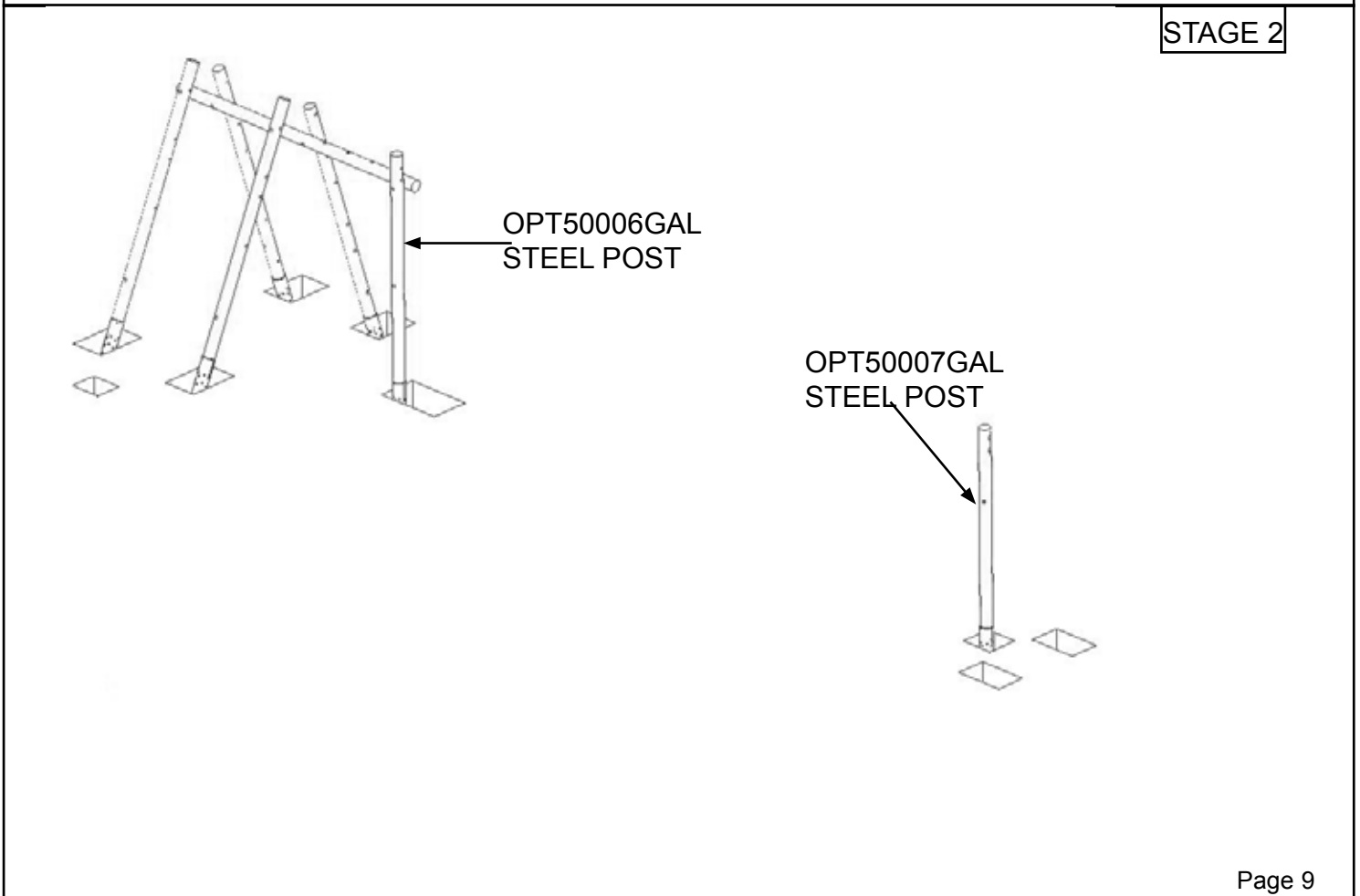
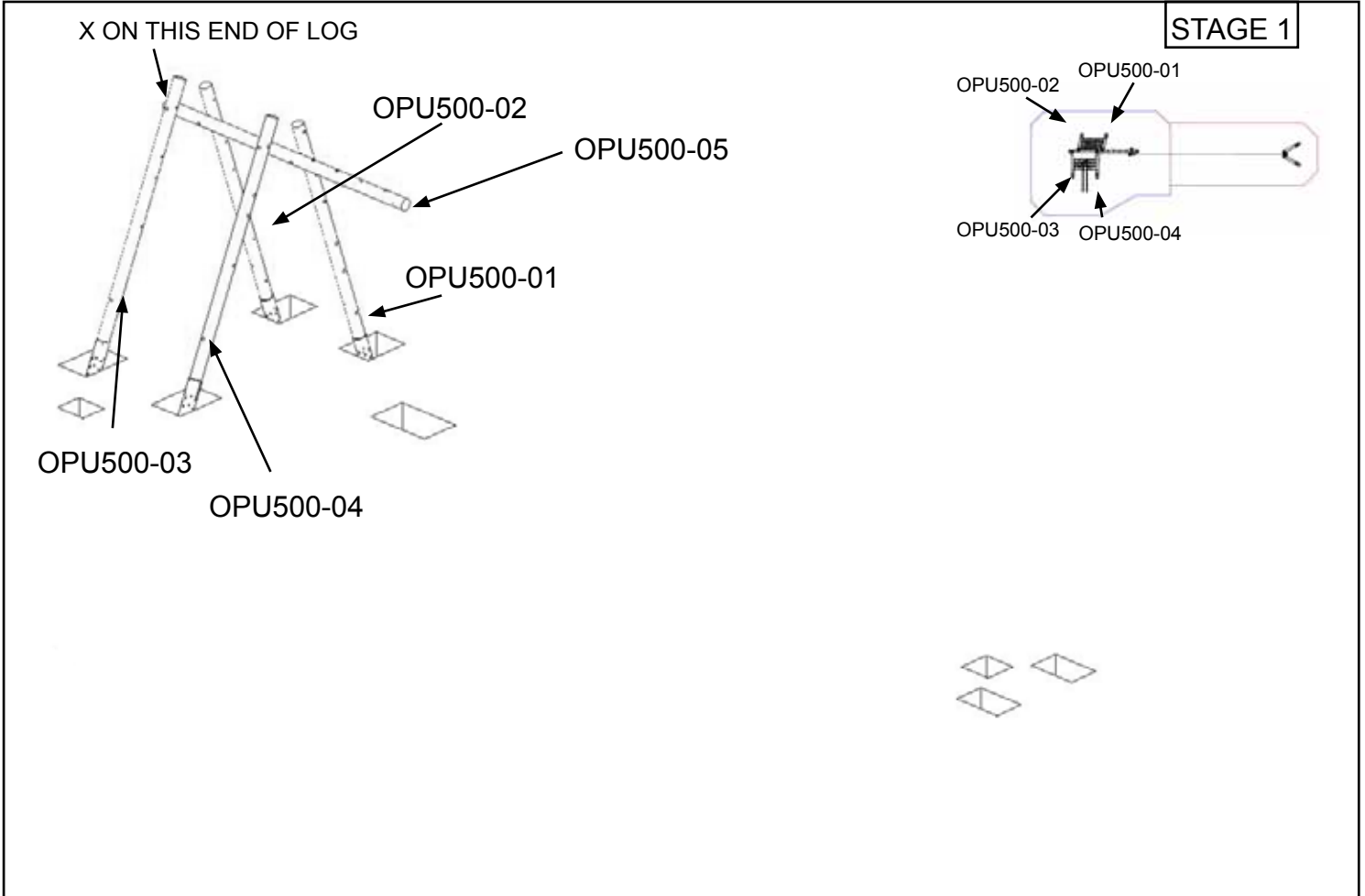
Ref	Description	Qty Per Joint
LKN340	M16 Locking Nut	1
WSR034	M16 Washer	1
ORS002	Rubber Plug	1

## POST CAPS



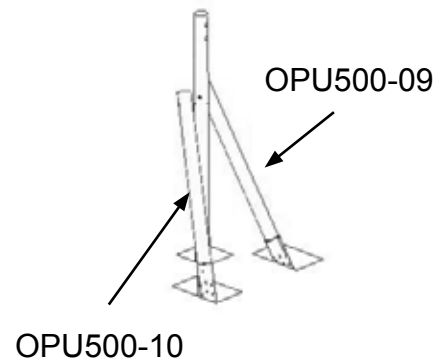
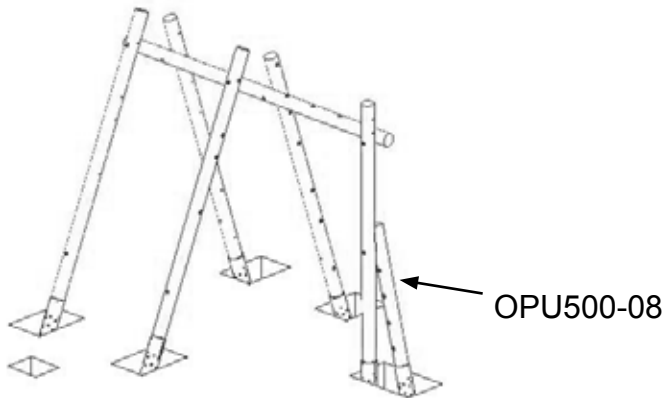
Ref	Description	Qty Per Cap
ORS003	Rubber Post Cap	1
WDS450	12 x 2" Screw	3

# Orchard Post Assembly Order

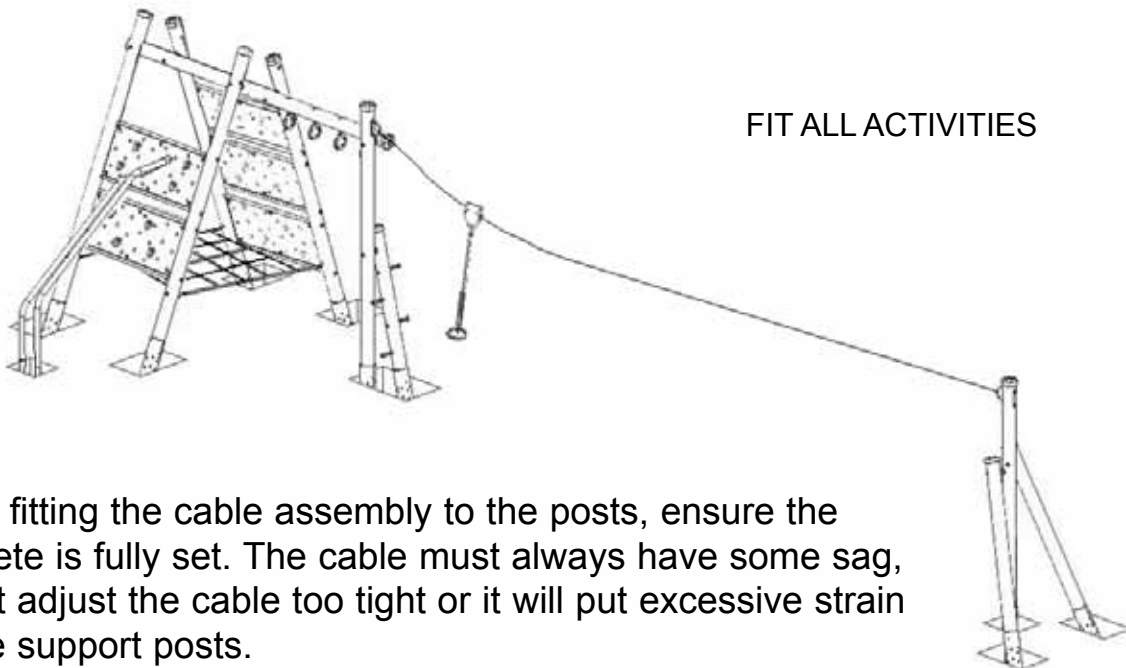


# Orchard Post Assembly Order

## STAGE 3



## STAGE 4

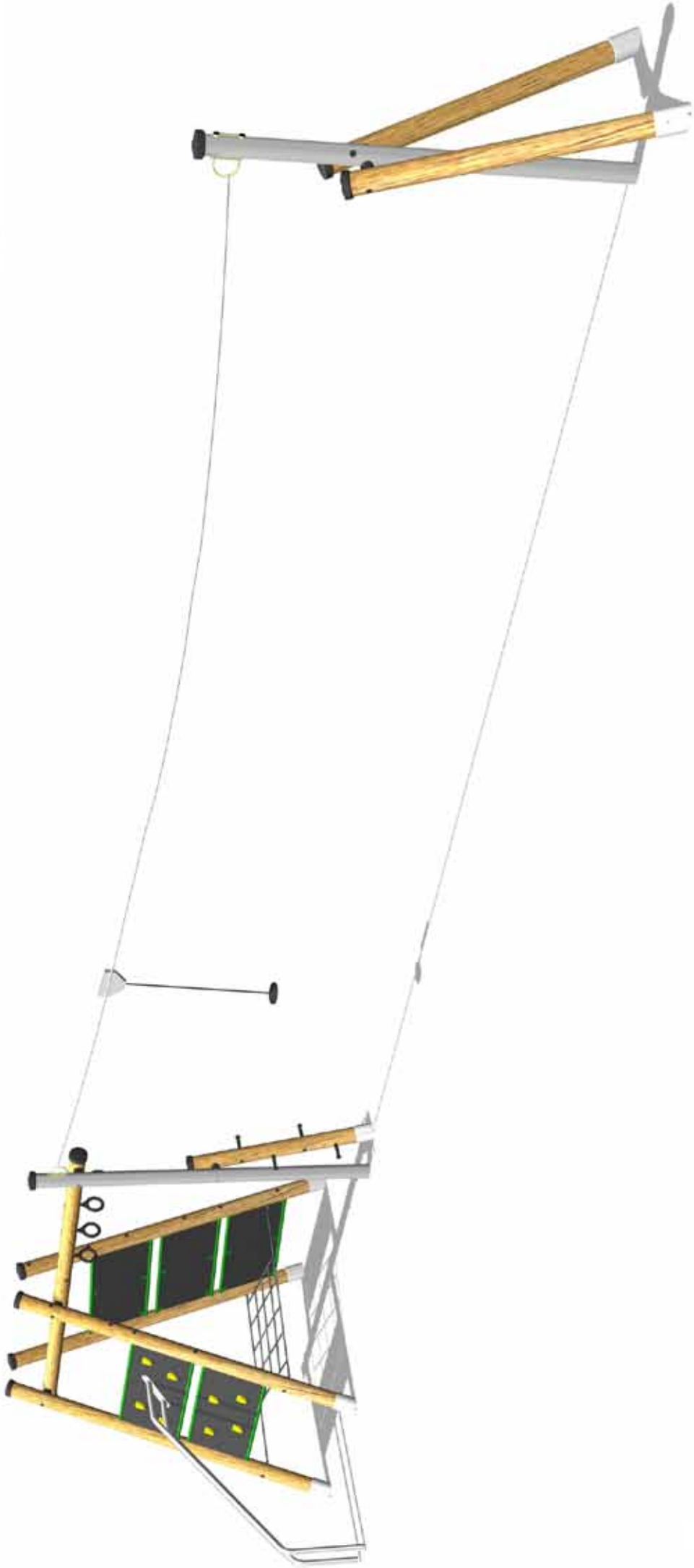


When fitting the cable assembly to the posts, ensure the concrete is fully set. The cable must always have some sag, do not adjust the cable too tight or it will put excessive strain on the support posts.

Adjust the seat chain length to give a minimum seat clearance of 350mm when loaded with a 69.5kg weight. The seat is supplied with extra chain links so excess can be removed to obtain the correct seat clearance if required.

# ORU500/ORW500 Unit

Orchard Unit



**Sutcliffe Play**  
design  
make  
play

# ORU500/ORW500 Unit

## Orchard Unit

### Maintenance Instructions

#### NOTE

The warranty is invalidated if these instructions are not followed.  
All wood needs annual inspection and retreatment where required.

#### Recommended Regular Inspection and Maintenance

	Interval (Days)				
	7	14	28	56	365
Check stability of structure, tighten connections if required.	<input type="checkbox"/>	<input type="checkbox"/>	<input type="checkbox"/>	<input checked="" type="checkbox"/>	<input type="checkbox"/>
Check all uprights at ground level for corrosion and/or rot. Replace any defective parts.	<input type="checkbox"/>	<input type="checkbox"/>	<input type="checkbox"/>	<input type="checkbox"/>	<input checked="" type="checkbox"/>
Check all painted elements for damage, rub down and repaint or replace as required.	<input type="checkbox"/>	<input type="checkbox"/>	<input type="checkbox"/>	<input checked="" type="checkbox"/>	<input type="checkbox"/>
Check chain/ropework assemblies for wear and damage, replace if required.	<input type="checkbox"/>	<input checked="" type="checkbox"/>	<input type="checkbox"/>	<input type="checkbox"/>	<input type="checkbox"/>
Check rotating and pivot points for wear and smooth running lubricate or replace if required.	<input type="checkbox"/>	<input type="checkbox"/>	<input checked="" type="checkbox"/>	<input type="checkbox"/>	<input type="checkbox"/>
Check rubber parts for wear and/or damage, replace if required.	<input type="checkbox"/>	<input type="checkbox"/>	<input checked="" type="checkbox"/>	<input type="checkbox"/>	<input type="checkbox"/>
Check tension cables, adjust if required.	<input type="checkbox"/>	<input type="checkbox"/>	<input checked="" type="checkbox"/>	<input type="checkbox"/>	<input type="checkbox"/>
Check wear of cables, replace if required.	<input type="checkbox"/>	<input type="checkbox"/>	<input checked="" type="checkbox"/>	<input type="checkbox"/>	<input type="checkbox"/>
Check slide chutes for smoothness and any foreign elements, remove any found.	<input type="checkbox"/>	<input type="checkbox"/>	<input checked="" type="checkbox"/>	<input type="checkbox"/>	<input type="checkbox"/>
Check rubber safety surfaces for damage and poor performance, repair or replace if required.	<input type="checkbox"/>	<input type="checkbox"/>	<input type="checkbox"/>	<input checked="" type="checkbox"/>	<input type="checkbox"/>
Check loose fill safety surfaces, remove any foreign elements, rake level and top up if required.	<input type="checkbox"/>	<input type="checkbox"/>	<input checked="" type="checkbox"/>	<input type="checkbox"/>	<input type="checkbox"/>

#### Disposal Instructions

All components should be broken down into categories of:-

- 1 **Mild Steel** - all activities and Orchard Deck Frames.
- 2 **Stainless Steel** - all Slides, Mirror Panels.
- 3 **Aluminium** - all Playzone, Mission and Toddlerzone Posts.
- 4 **Galvanised Steel** - all Chains and Teenzone Posts.
- 5 **Moulded Rubber Products without steel inserts** - all Mission and Toddlerzone Caps and edge details.
- 6 **Timber** - all natural timber, plywood, and MDF panels.

Wherever possible these materials should be taken to specialist recycling organisations and recycled.

In some cases where composite materials are used, then disposal at land fill sites is the only alternative such as:

- 7 **Moulded Rubber Products encasing steel inserts** - all Swing Seats, Deck Tops, Duo/Dizzy Disc Tops.
- 8 **High Pressure Laminate** - all Toddlerzone, Playzone and Teenzone Panels.
- 9 **Steel Core Polypropylene Rope** - all Scramble Nets, Space Nets, Playzone/Toddlerzone/Mission Ropes.