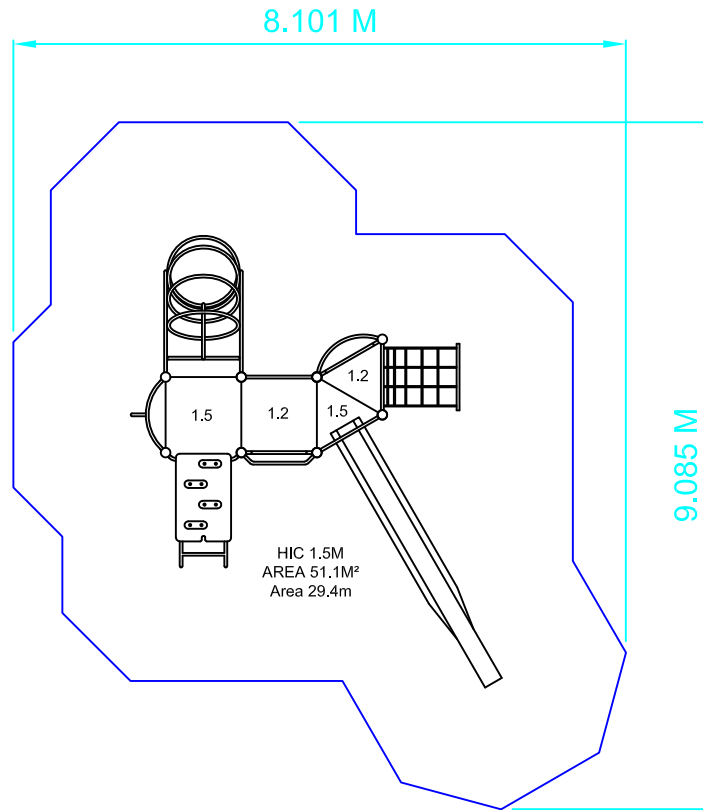


Pole Climb Playzone Unit PZU682/PZW682

Dwn AG Scale 1:100@A4 30.01.12 Rev 02

Good design
for children
SutcliffePlay



SAFETY SURFACING
AREA 51.1m²
PERIMETER 29.4m
HIC 1.5m

PRODUCT SPECIFICS

Age
Range 4 - 10 years

UNIT INCLUDES

	QTY
DZD100 Square decks	2
DZD200 Triangular decks	2
PZA610 Pull up ramp	1
PZA140 Firemans pole	1
PZT650 Hoop climber	1
PZA210 Single rungs	3
PZT226 Arch top rails	3
PZA240 1.5m traditional slide	1
PZA050 Arch entrance	1
PZA390 1.2m Scramble net	1
PZA430 1.2m rope climb	1
POSTS	27.65m

Play Type Physical,
locomotor

**DO NOT SCALE FROM THIS DRAWING
THIS DRAWING MUST NOT BE USED
FOR INSTALLATION PURPOSES.**