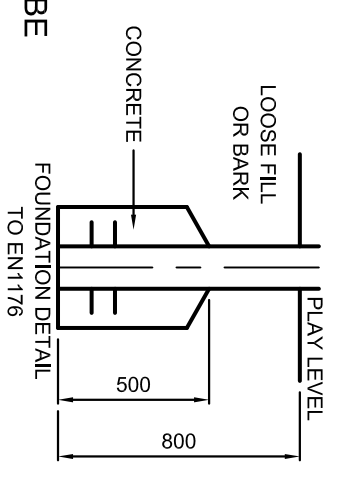
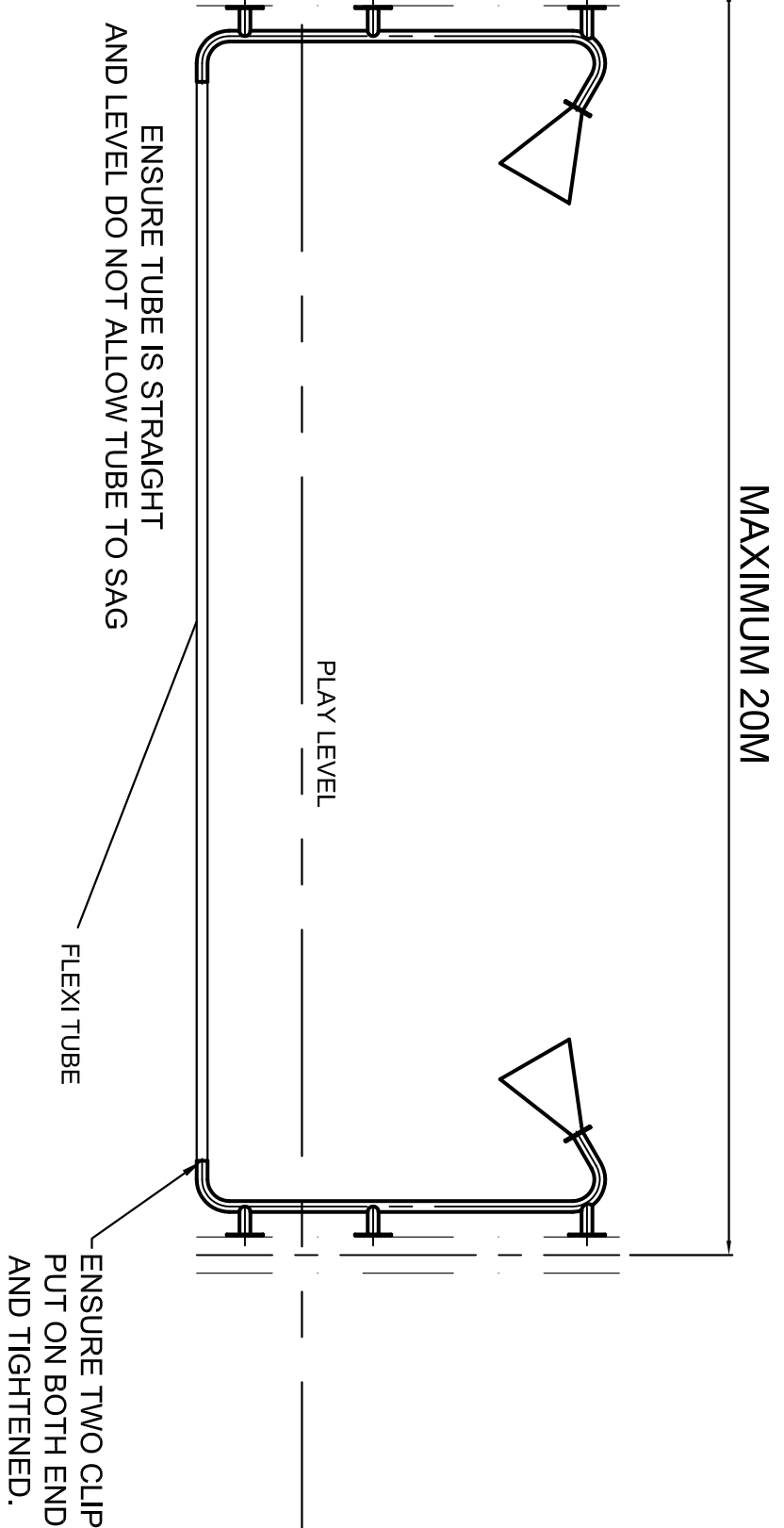
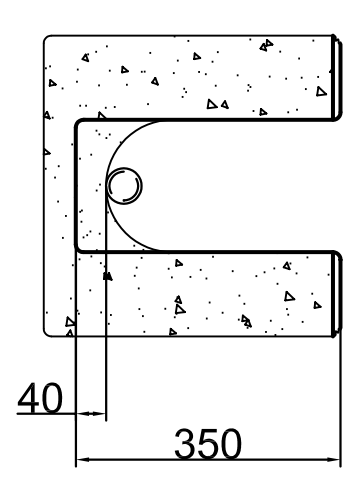


DIG TRENCH FOR FLEXI TUBE  
AND APPLY BED OF SAND.  
DO NOT ALLOW TUBE TO BE CRUSHED.



GROUND PLAN	<b>PZU100</b>
REV	01
DRAWN	JPC
SCALE	1:25
DATE	22/05/06
SAFETY SURFACE AREA	
HOLE B 400X400X800 DEEP	