

design
make
play

SutcliffePlay

Waggon Lane
Upton Pontefract
West Yorkshire WF9 1JS
Telephone +44 (0) 1977 653200
Facsimile +44 (0) 1977 653222
info@sutcliffeplay.co.uk
www.sutcliffeplay.co.uk

Minitown 4 Tower Installation Instructions MTU044

MTU044

Minitown 4 Tower Installation Instructions



- 1 Check using the Parts List that none of the components are missing.
- 2 Plan the final position of the play equipment ensuring there is sufficient space.
- 3 The stainless steel slides should face north or be shaded to prevent over heating. Slide run- outs should be inclined downwards by approximately 2 degrees for drainage purposes.
- 4 Excavate the foundation holes in accordance with the plan.
- 5 Sort and identify parts before assembly. Each leg is numbered to correspond with the foundation plan.
- 6 Position 2 off 300 long spragging irons into the holes provided in each post upright and stand in the foundation holes. Assemble the decks at the positions marked on the posts. Do not tighten the fixing bolts until all the activities have been assembled.
- 7 Assemble the activities onto the posts. Leave fixing bolts loose until all the activities have been assembled.
- 8 Fill the foundation holes to the required depth with concrete.
- 9 Do not allow the equipment to be used until the concrete has set (2 - 3 days) and the required safety surfacing has been installed.
- 10 Tighten all fixing bolts.
- 11 Follow the maintenance instructions supplied.

During installation care must be taken to prevent hazards to children.
Care should be taken if conditions are abnormal.

MTU044

Minitown 4 Tower
Installation Instructions

design
make
play
SutcliffePlay



MTU044

Minitown 4 Tower
Installation Instructions

design
make
play
SutcliffePlay



MTU044

Minitown 4 Tower Installation Instructions

design
make
play

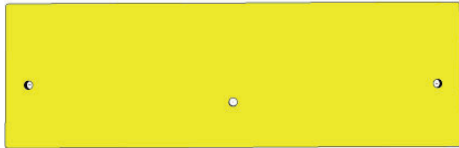
SutcliffePlay



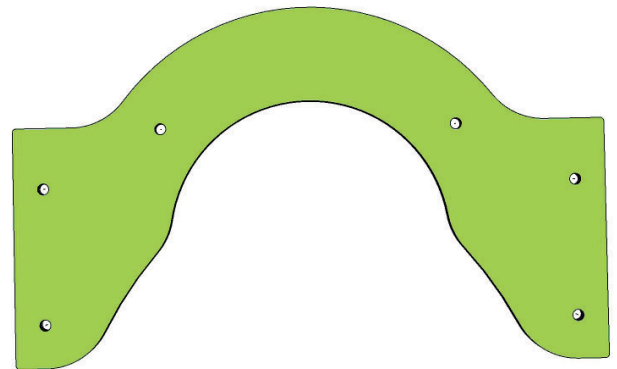
MTU044

Minitown 4 Tower Parts List

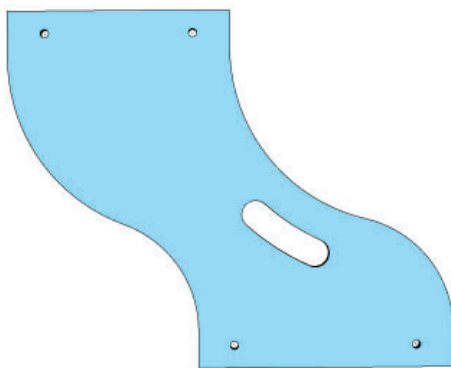
design
make
play
SutcliffePlay



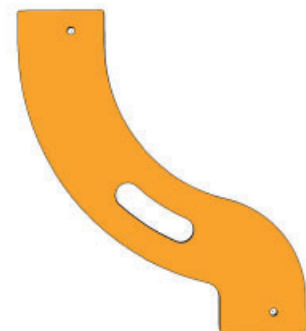
Deck Infill
MPP105 x 2



Arch Panel 715 Long
MPP093 x 1



Curve Side Panel
MPP088 x 2

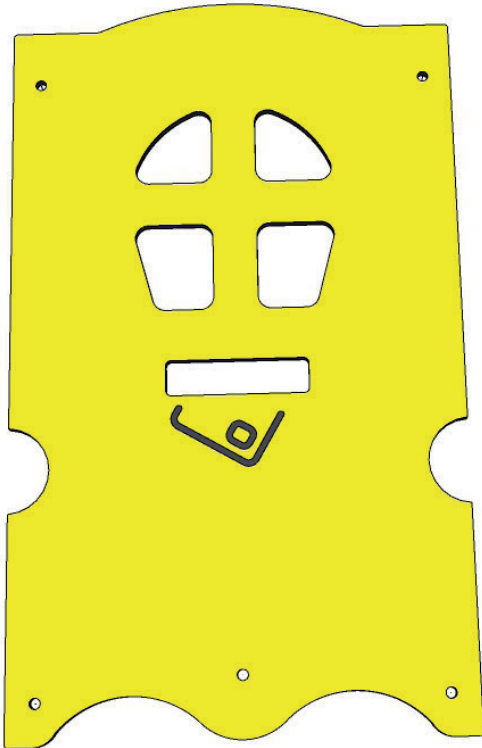


Small Curve Side Panel
MPP089 x 2

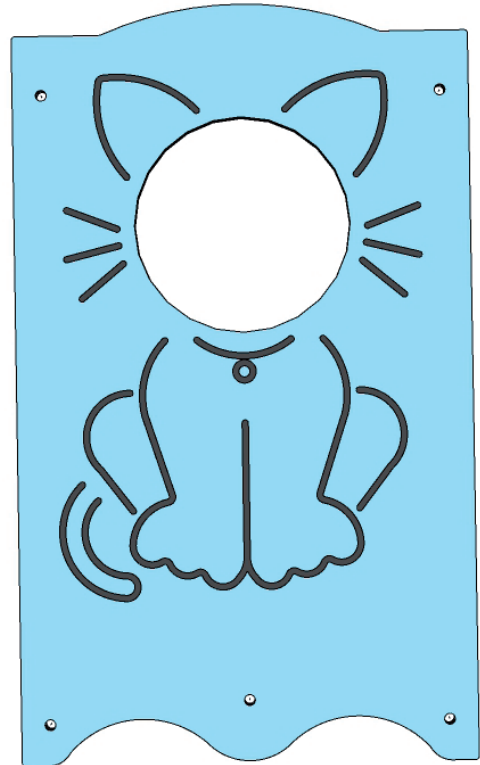
MTU044

Minitown 4 Tower Parts List

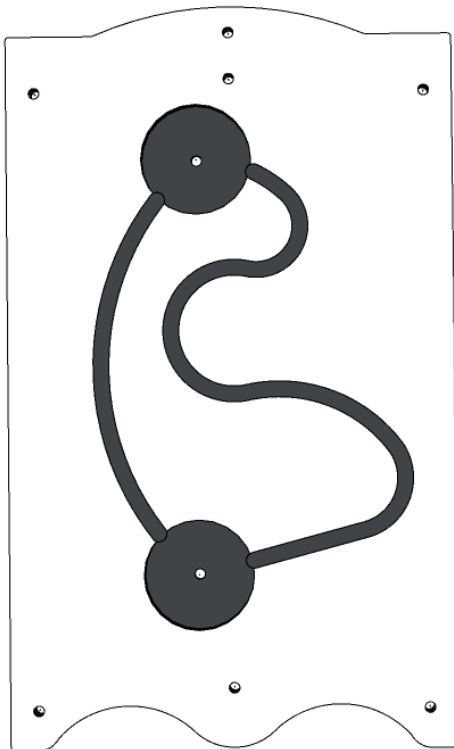
design
make
play
SutcliffePlay



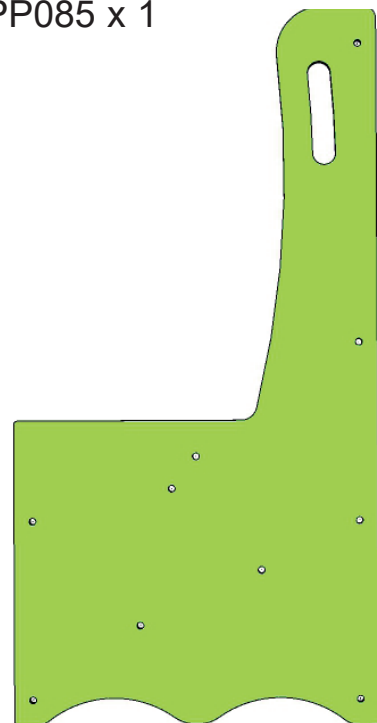
Window Letter Box Panel
MPP106 x 1



Cat Head Through Panel
MPP085 x 1



Track Panel
MPA086 x 1

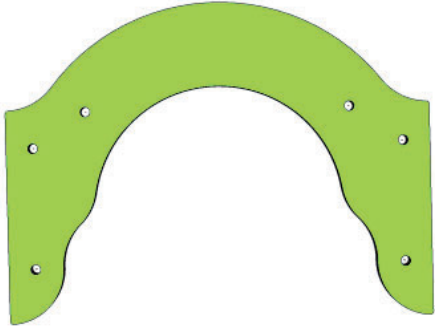


Grip Climb Panel
MPP080 x 1

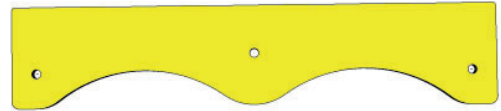
MTU044

Minitown 4 Tower Parts List

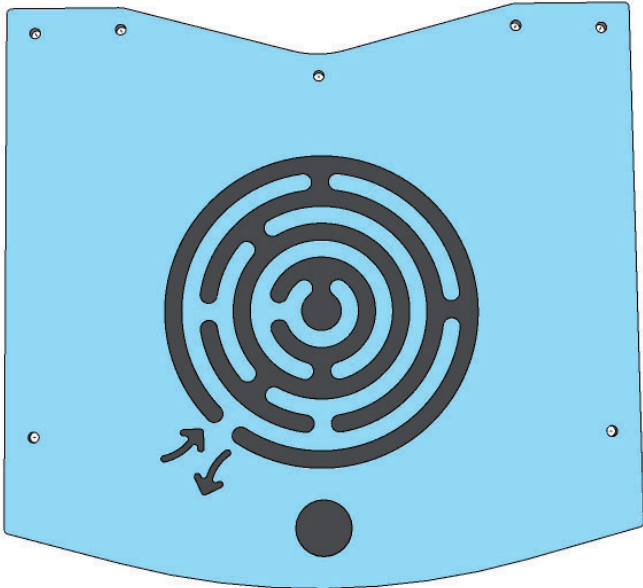
design
make
play
SutcliffePlay



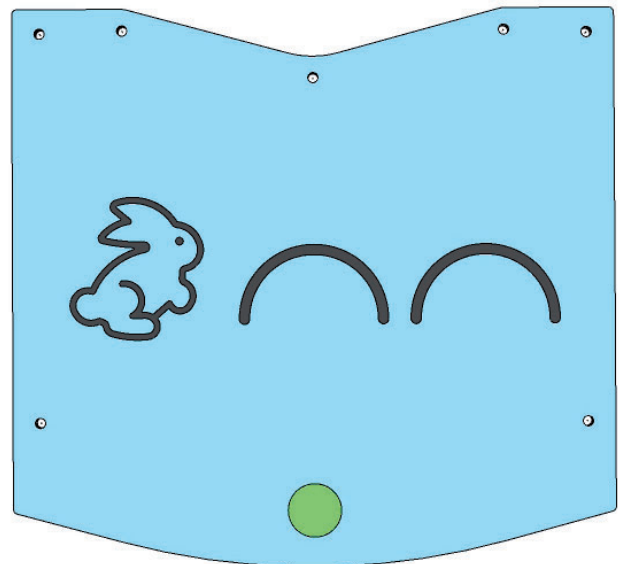
Arch Entrance Panel 590 Long
MPP083 x 1



Deck Fringe 590 Long
MPP081 x 3



Maze Bridge Panel
MPP079 x 1

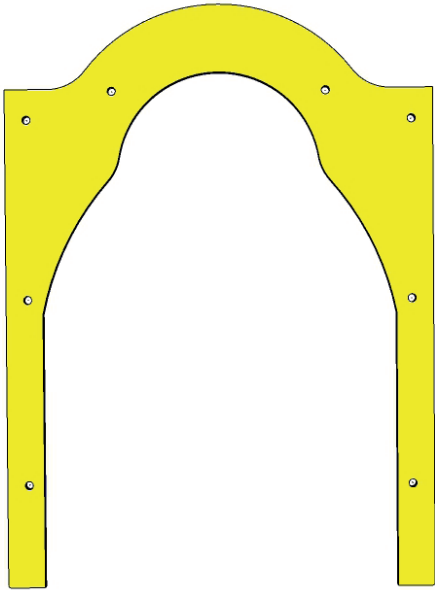


Bunny Hop Panel
MPP078 x 1

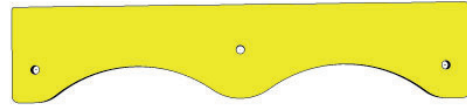
MTU044

Minitown 4 Tower Parts List

design
make
play
SutcliffePlay



Slide Entrance Panel
MPP077 x 1



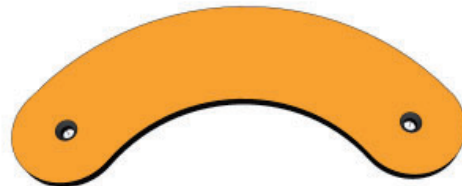
Deck Fringe 715 Long
MPP082 x 2



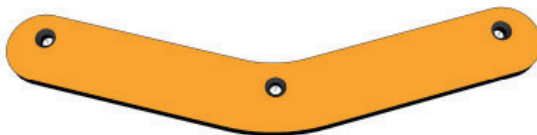
Hand Grab Panel
MPP084 x 1



Curved Seat / Step Panel
MPP096 x 1



Curved Top Panel
MPP104 x 3

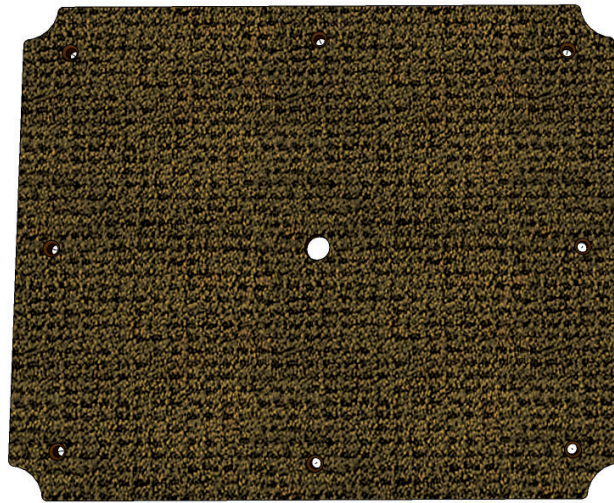


Boomarang Panel
MPP031 x 2

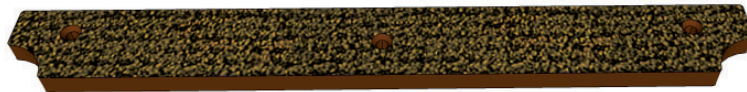
MTU044

Minitown 4 Tower Parts List

design
make
play
SutcliffePlay



715 x 590 Deck Board
MPP075 x 5

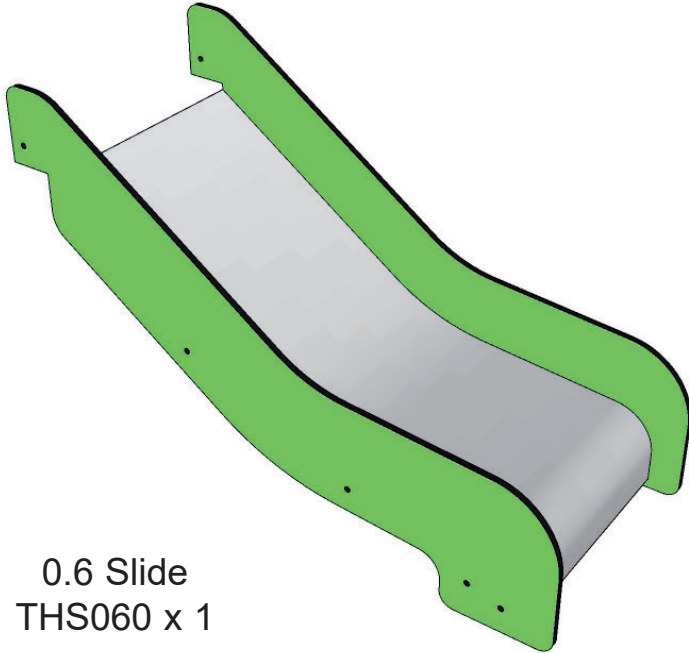


Hex Deck Top Edge Panel
MPP076 x 1

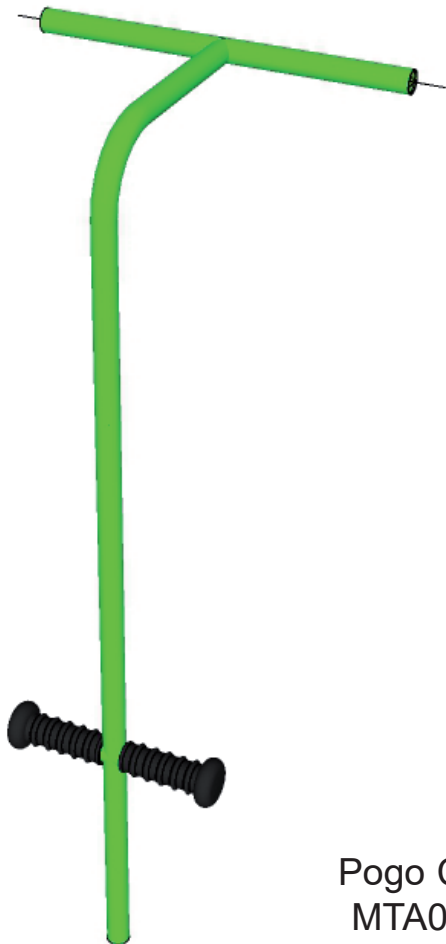
MTU044

Minitown 4 Tower Parts List

design
make
play
SutcliffePlay



0.6 Slide
THS060 x 1



Pogo Climber
MTA041 x 1

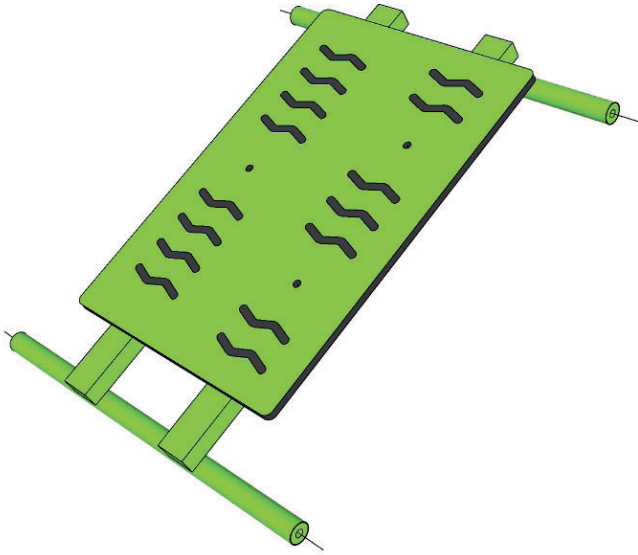


Curved Bridge
MTA010 x 1

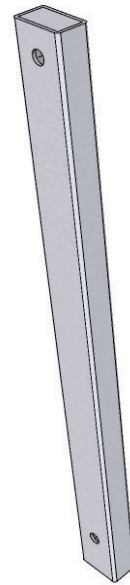
MTU044

Minitown 4 Tower Parts List

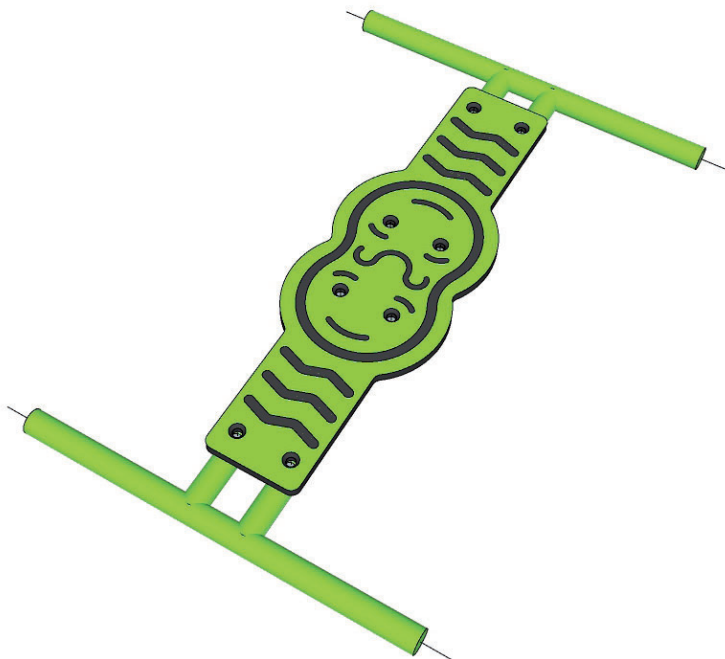
design
make
play
SutcliffePlay



Duo Ramp
MTA011 x 1



Slide Pedestals
PED302 x 2

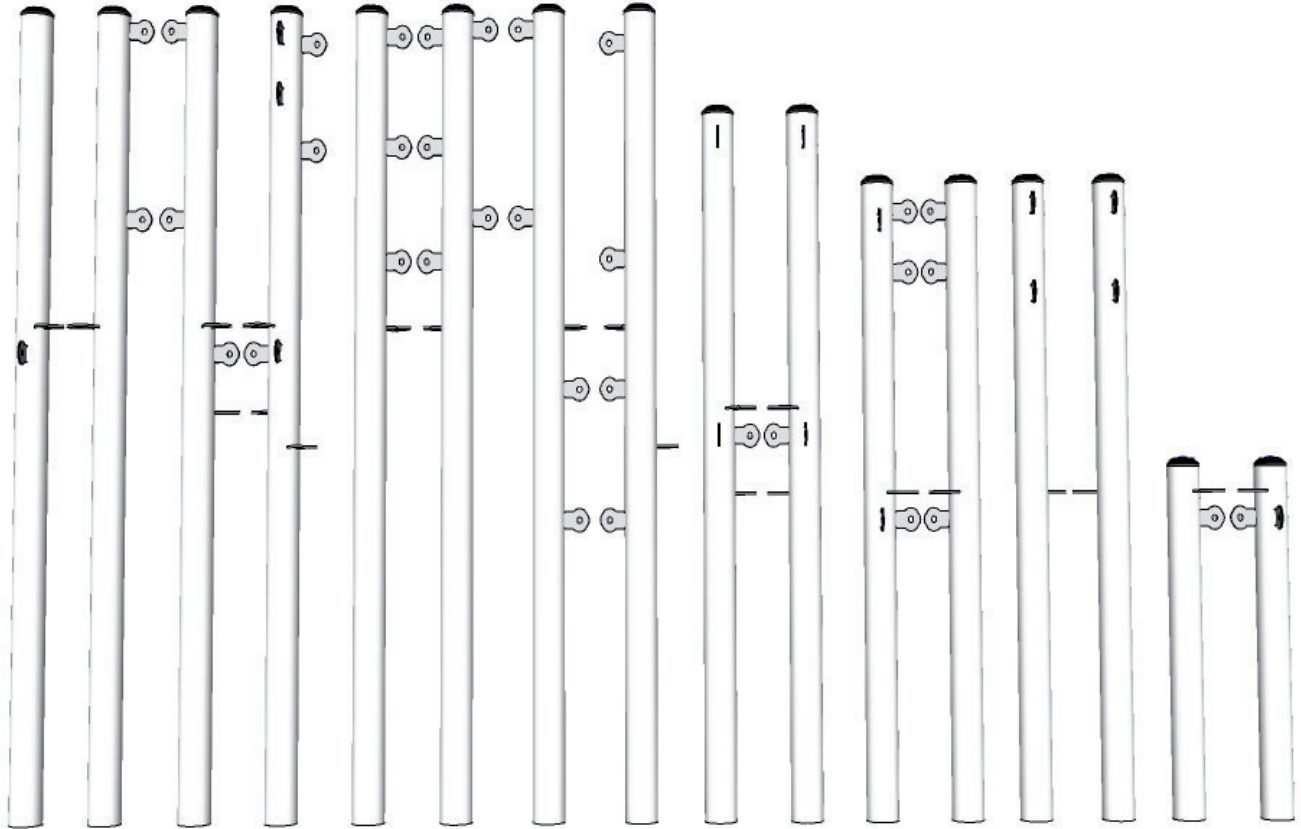


Duo Panel Bridge
MTA012 x 1

MTU044

Minitown 4 Tower
Parts List

design
make
play
SutcliffePlay



Set Of 16 Posts
MPU044

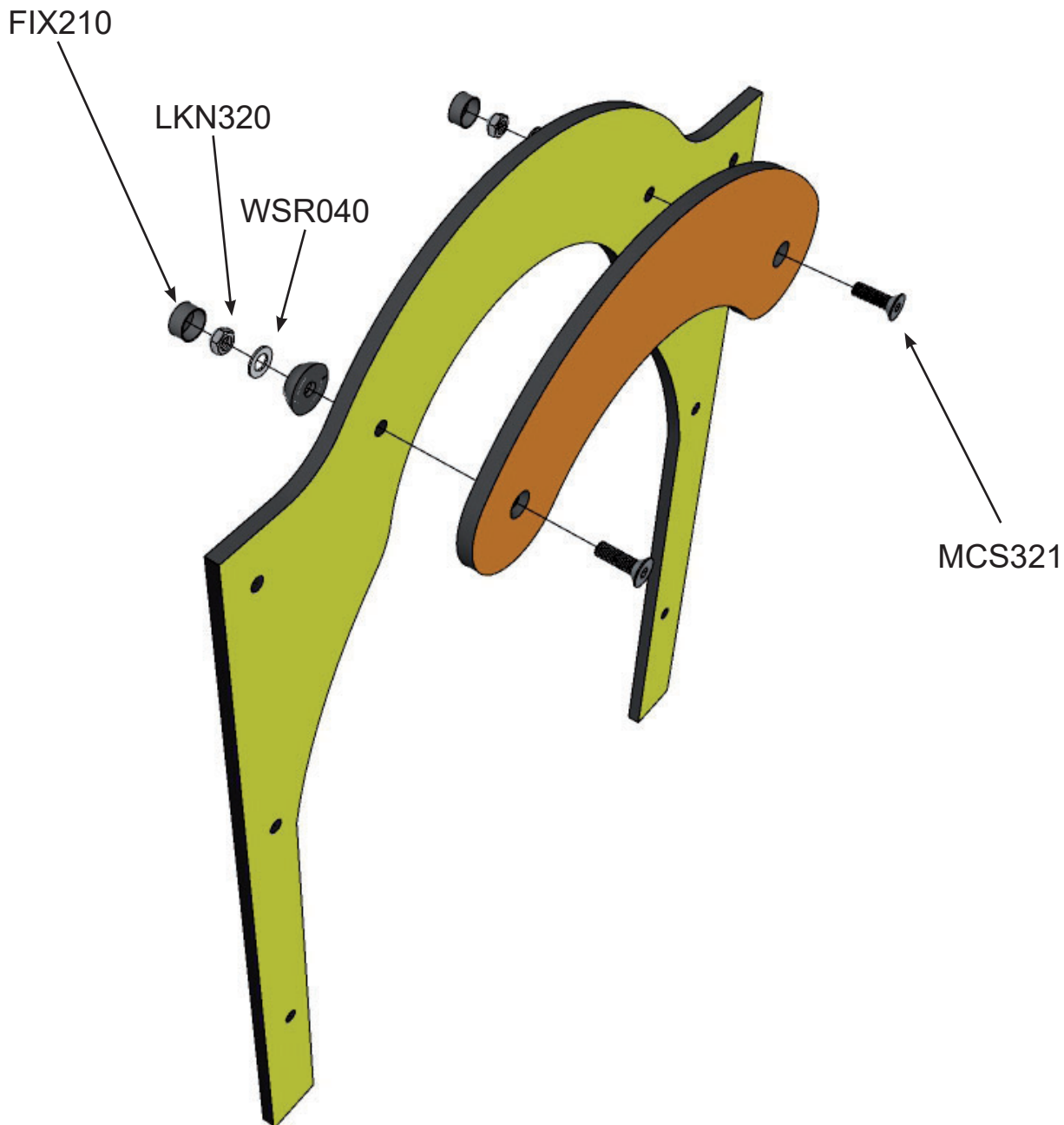


Loose Fixing Kit
MTU044F x 1

MTU044

Minitown 4 Tower Installation Instructions

design
make
play
SutcliffePlay

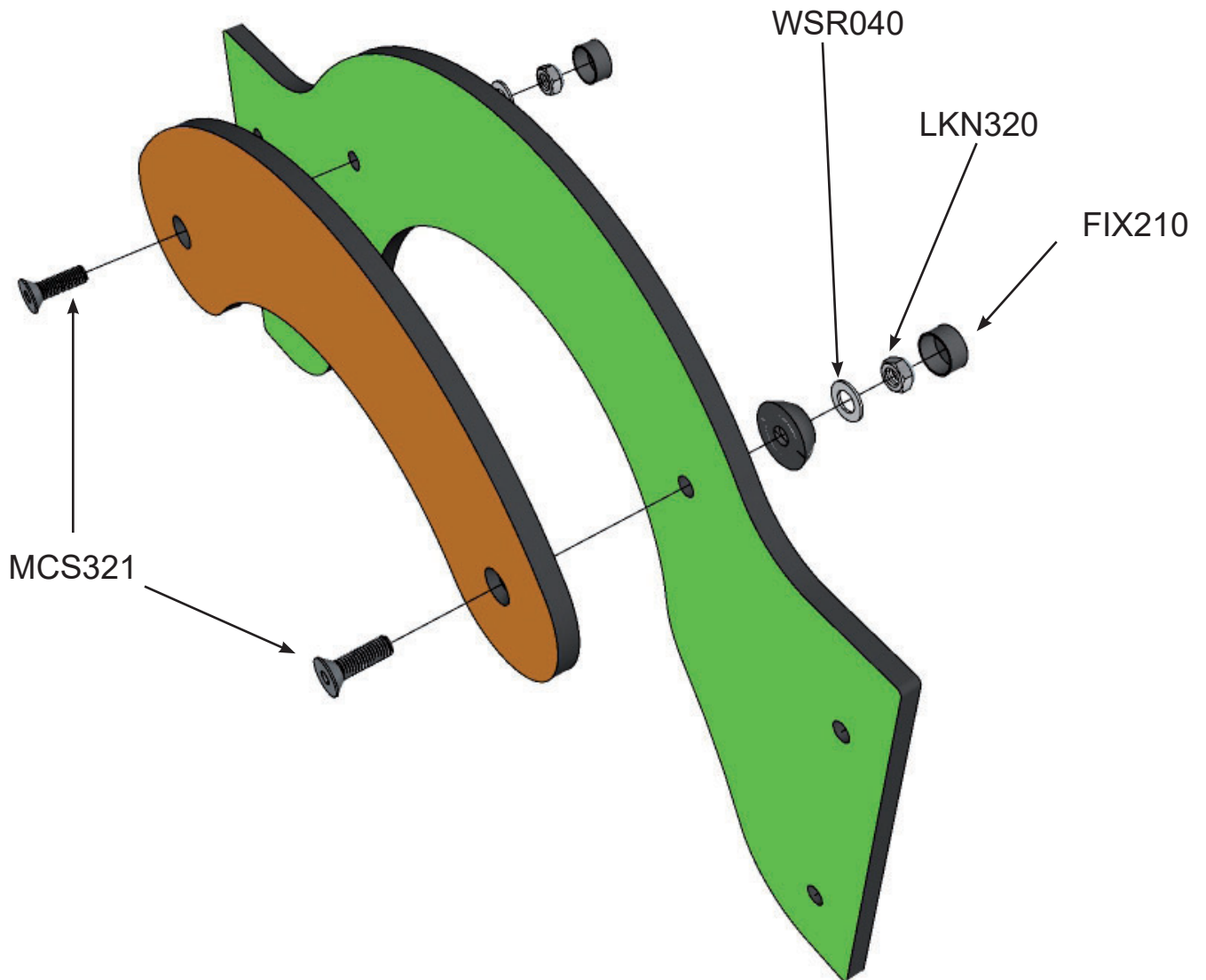


Ref	Description	Qty
1 - FIX210	2 Part Nut Cover	2
2 - WSR040	M10 st/st Washer	2
3 - MCS321	M10 x 35 Countersunk Screw	2
4 - LKN320	M10 Nylock Nut	2

MTU044

Minitown 4 Tower Installation Instructions

design
make
play
SutcliffePlay

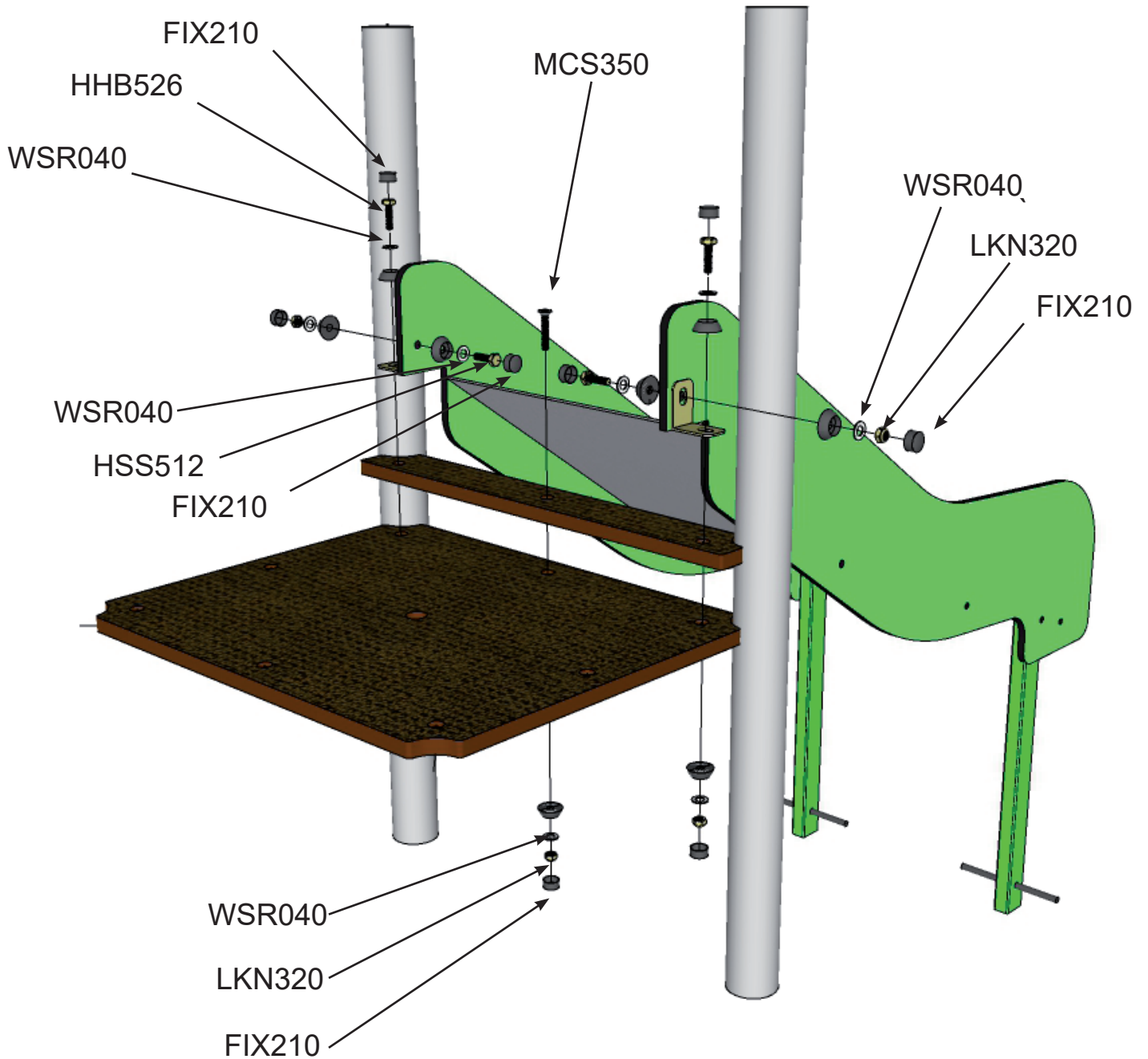


Ref	Description	Qty
1 - FIX210	2 Part Nut Cover	2
2 - WSR040	M10 st/st Washer	2
3 - MCS321	M10 x 35 Countersunk Screw	2
4 - LKN320	M10 Nylock Nut	2

MTU044

Minitown 4 Tower Installation Instructions

design
make
play
SutcliffePlay

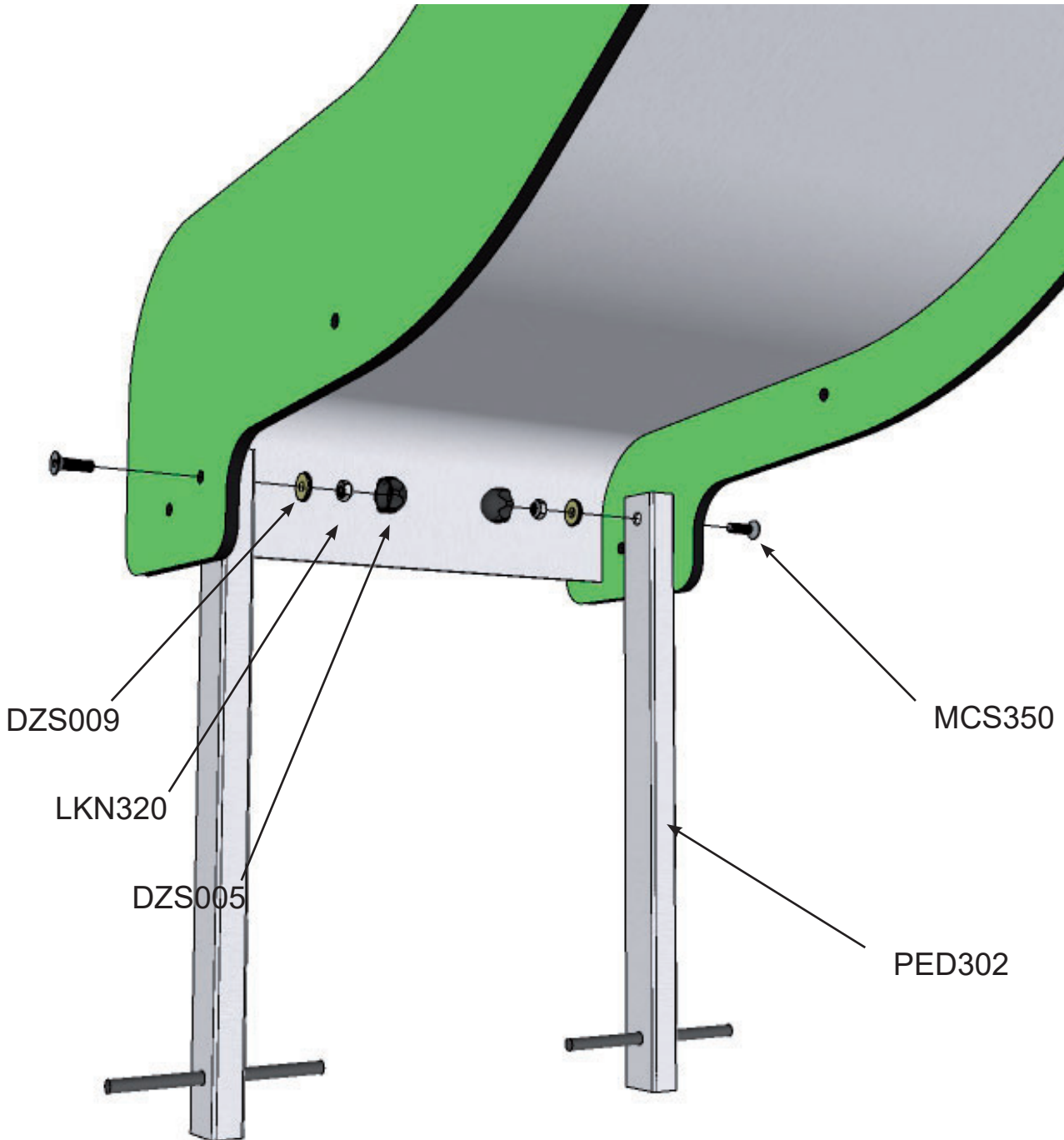


Ref	Description	Qty
1 - FIX210	2 Part Nut Cover	9
2 - WSR040	M10 st/st Washer	9
3 - LKN320	M10 Nylock Nut	5
4 - HSS512	M10 x 35 Hex Head Screw	2
5 - HHB526	M10 x 70 Hex Head Bolt	2
6 - MCS350	M10 x 60 Countersunk Screw	1

MTU044

Minitown 4 Tower Installation Instructions

design
make
play
SutcliffePlay

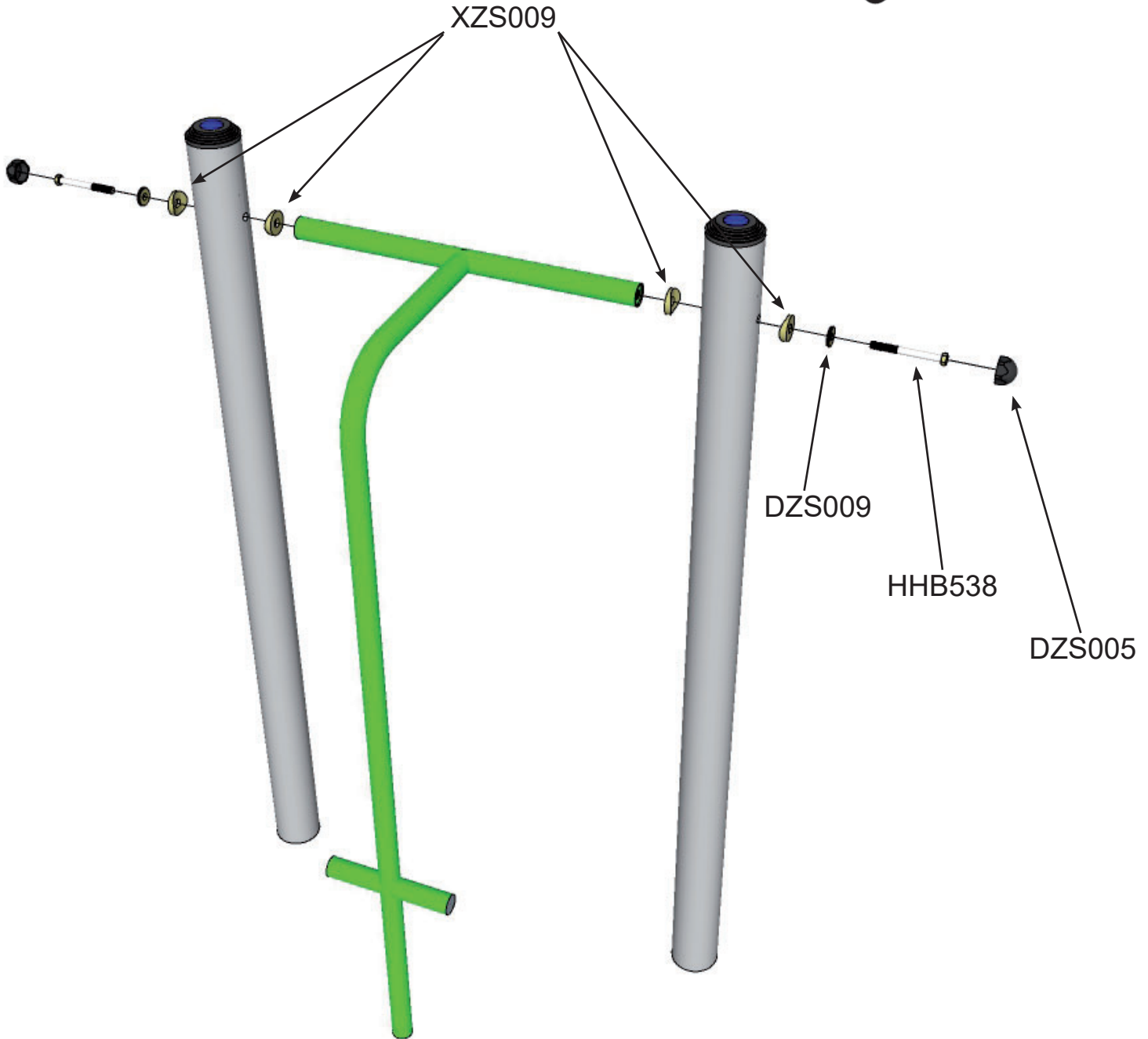


Ref	Description	Qty
1 - DZS005	Nut Cover	2
2 - DZS009	Cover Washer	2
3 - LKN320	M10 Nylock Nut	2
4 - PED302	Slide Pedestal	2
5 - MCS350	M10 x 60 Countersunk Screw	2

MTU044

Minitown 4 Tower Installation Instructions

design
make
play
SutcliffePlay

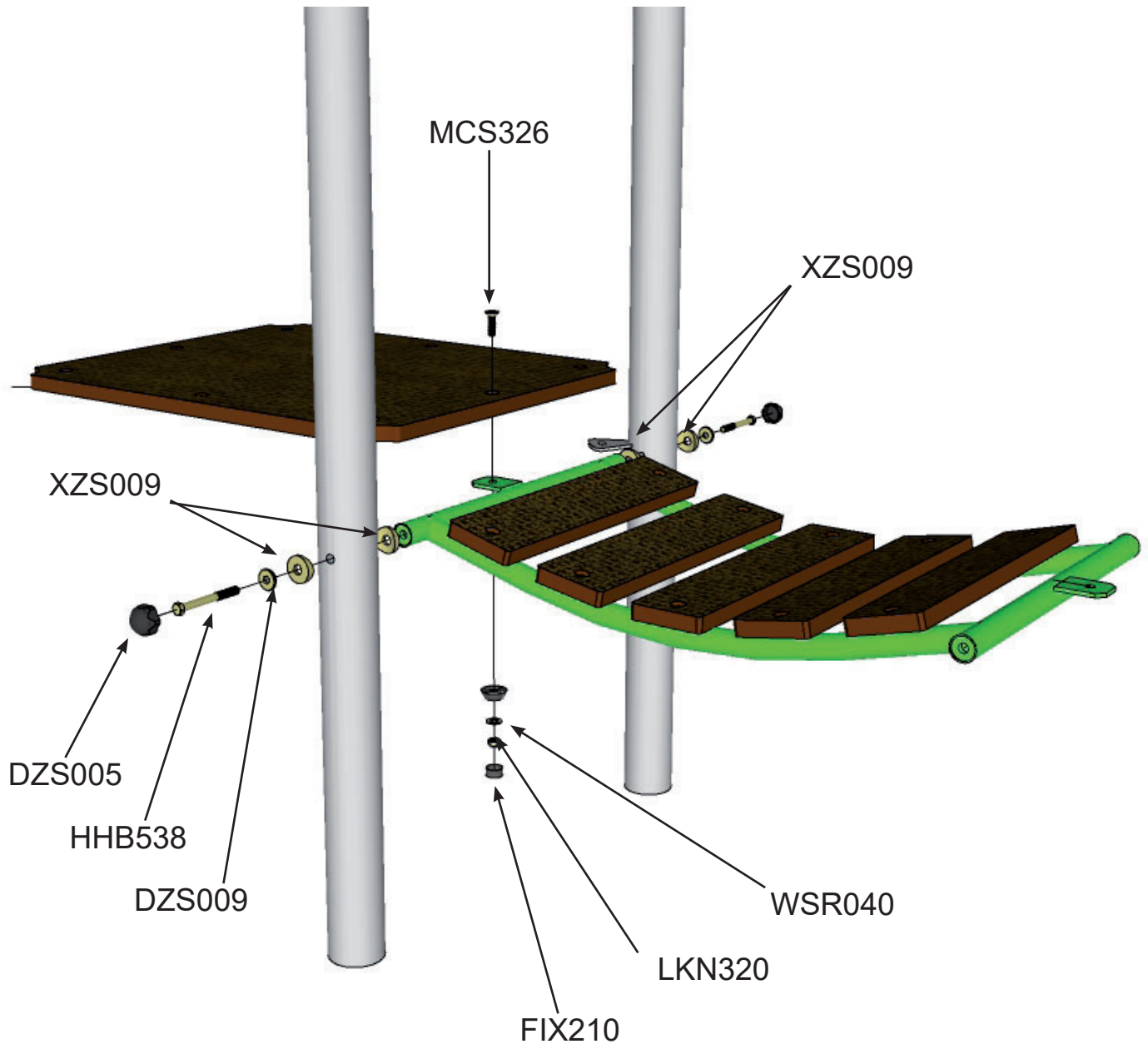


Ref	Description	Qty
1 - DZS009	M10 Cover Washer	2
2 - DZS005	M10 Nut Cover	2
3 - HHB538	M10 x 100 Hex Head bolt	2
4 - XZS009	Saddle Washer	4

MTU044

Minitown 4 Tower Installation Instructions

design
make
play
SutcliffePlay

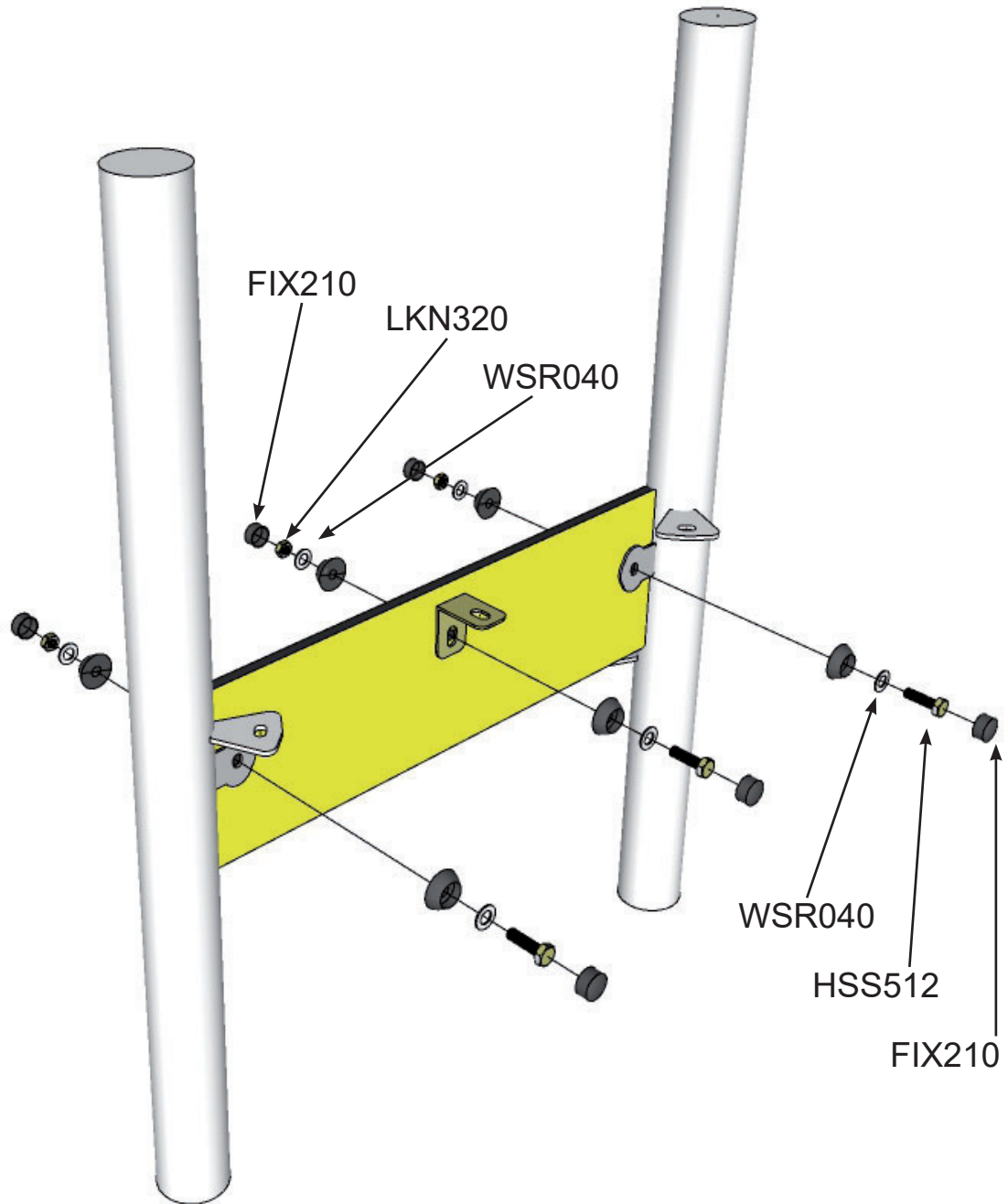


Ref	Description	Qty
1 - DZS009	M10 Cover Washer	4
2 - DZS005	M10 Nut Cover	4
3 - LKN320	M10 Nylock Nut	2
4 - XZS009	Saddle Washer	8
5 - WSR040	M10 st/st Washer	2
6 - FIX210	2 Part Nut Cover	2
7 - HHB538	M10 x 100 Hex Head Bolt	4
8 - MCS326	M10 x 40 Countersunk Screw	2

MTU044

Minitown 4 Tower Installation Instructions

design
make
play
SutcliffePlay

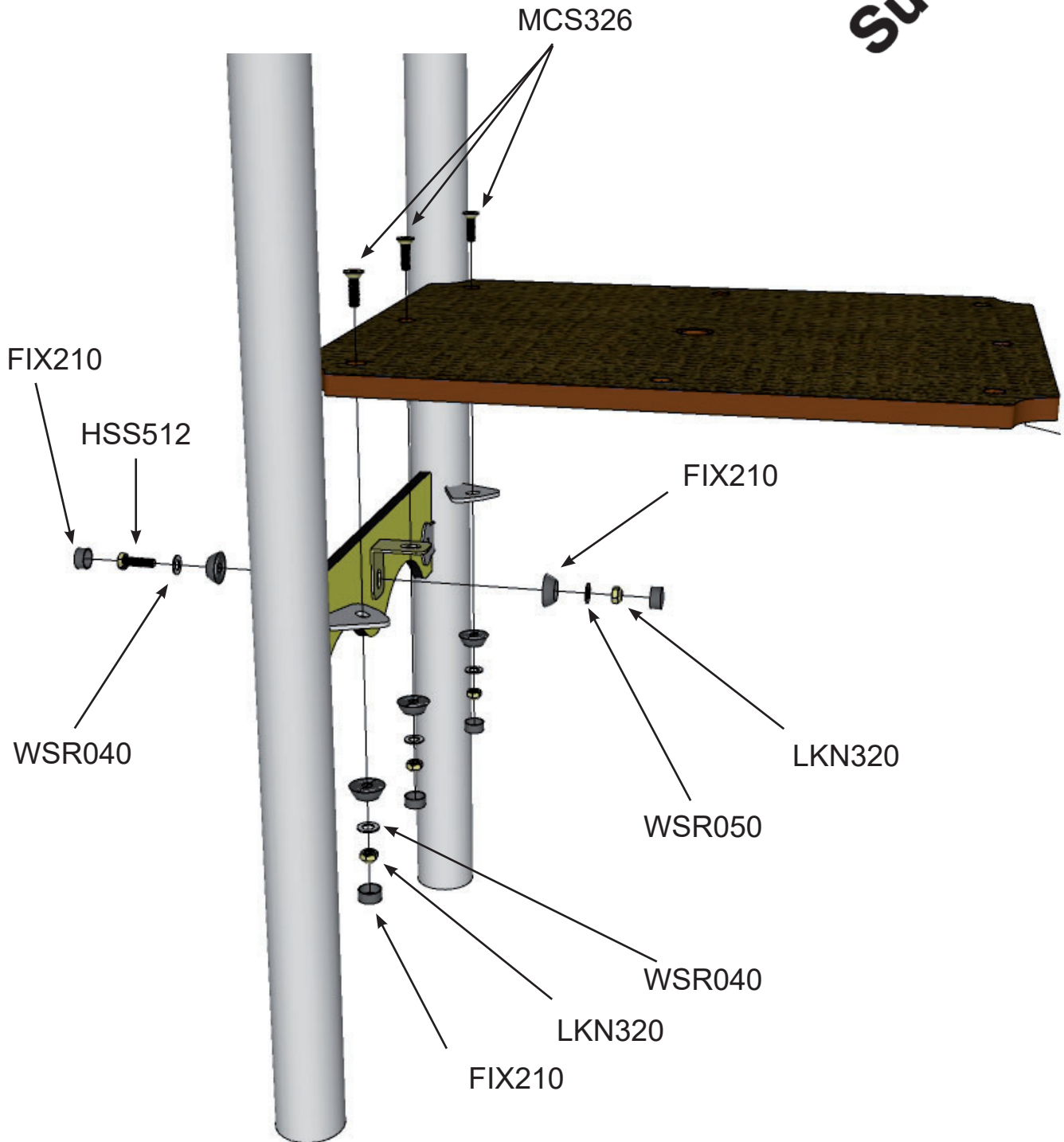


Code	Description	Qty
HSS512	M10 x 35 Countersunk Screw	3
LKN320	M10 Nylock Nut	3
FIX210	2 Part Nut Cover	3
WSR040	M10 st/st Plain Washer	6

MTU044

Minitown 4 Tower Installation Instructions

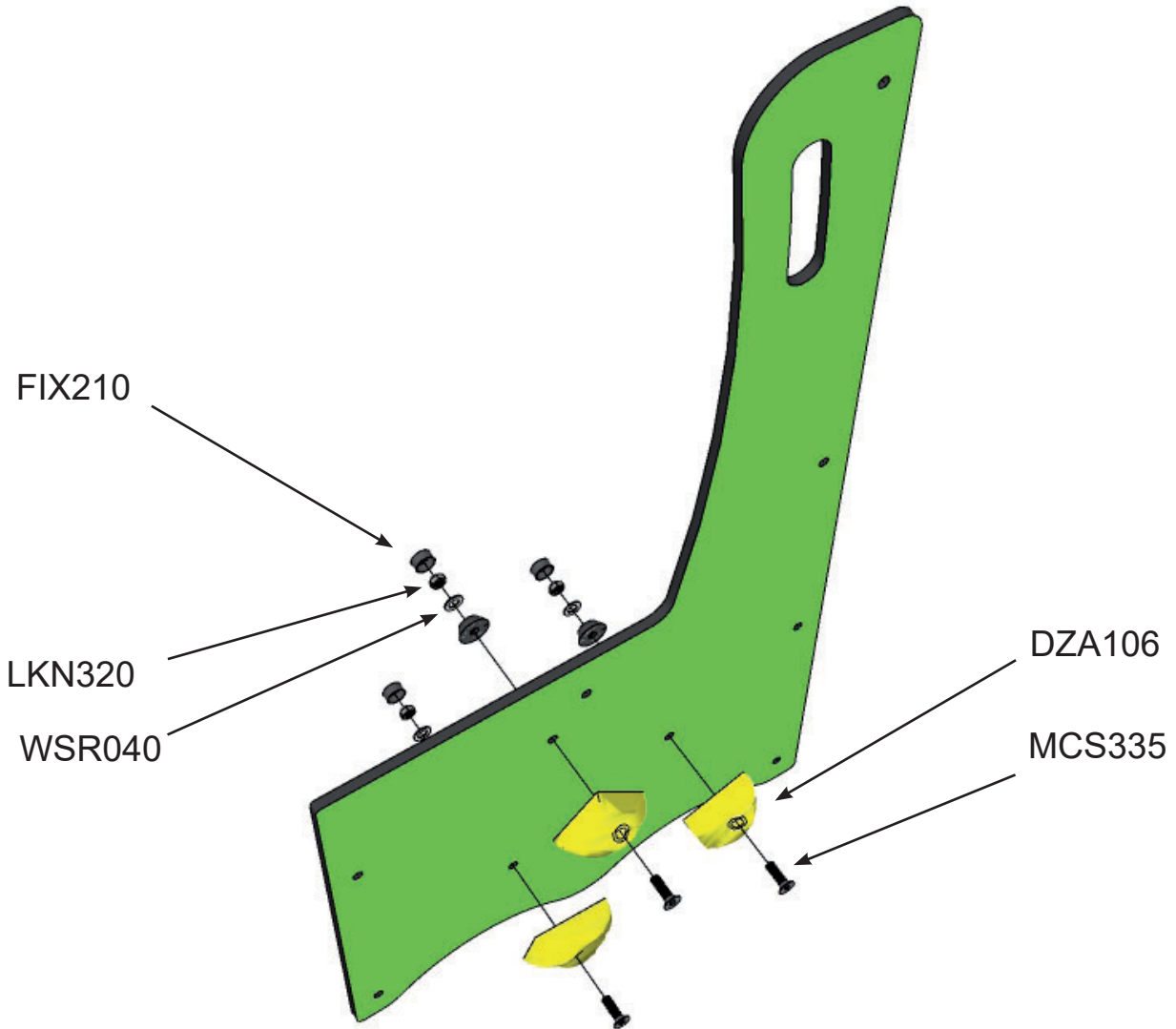
design
make
play
SutcliffePlay



Code	Description	Qty
HSS512	M10 x 35 Countersunk Screw	1
LKN320	M10 Nylock Nut	4
FIX210	2 Part Nut Cover	5
WSR040	M10 st/st Plain Washer	5
MCS326	M10 x 40 Countersunk Screw	3

MTU044

Minitown 4 Tower Installation Instructions

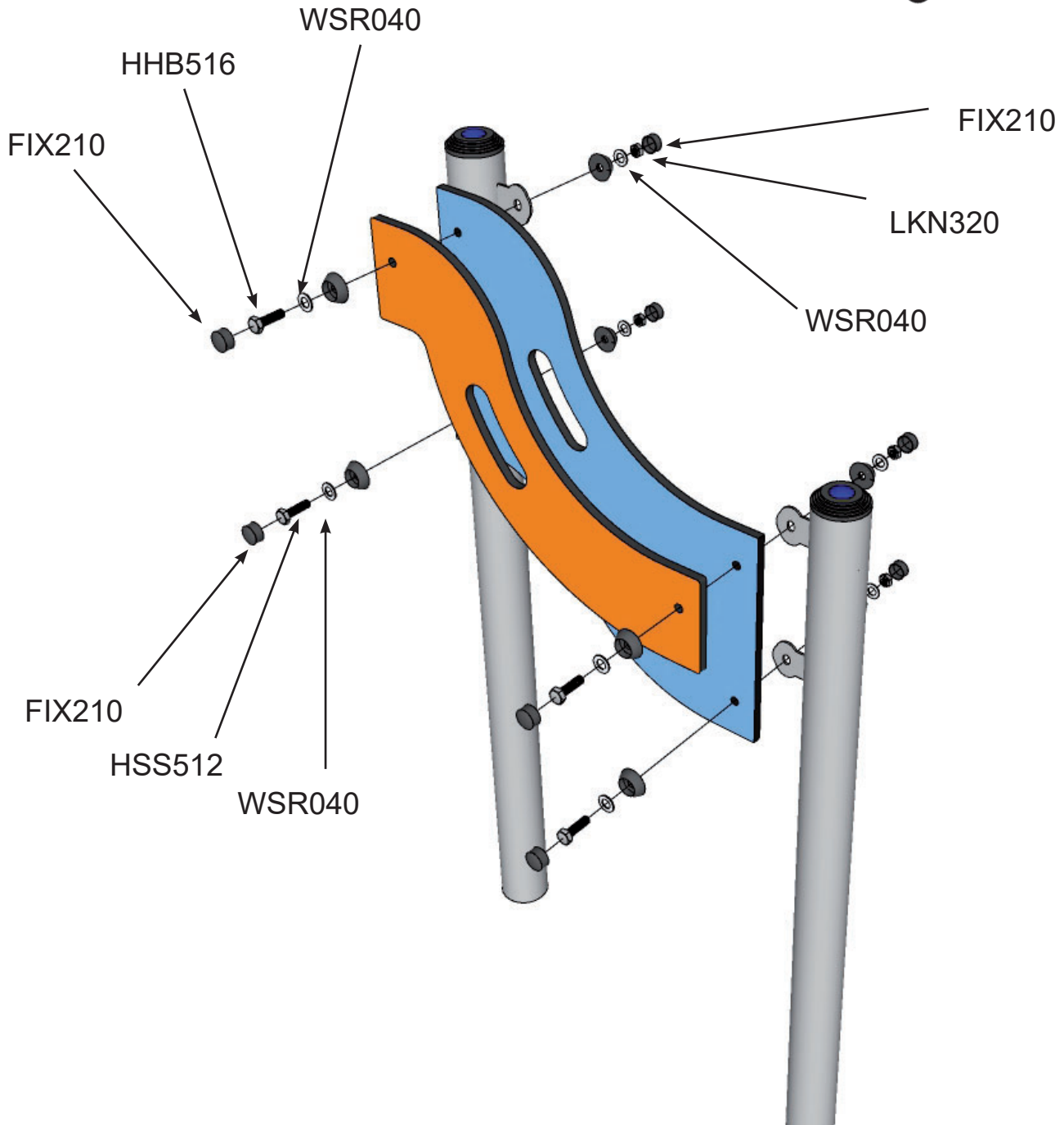


Code	Description	Qty
MCS335	M10 x 50 Countersunk Screw	3
LKN320	M10 Nylock Nut	3
FIX210	2 Part Nut Cover	3
WSR040	Plain Washer	3
DZA106	Climbing Wall Holds	3

MTU044

Minitown 4 Tower Installation Instructions

design
make
play
SutcliffePlay

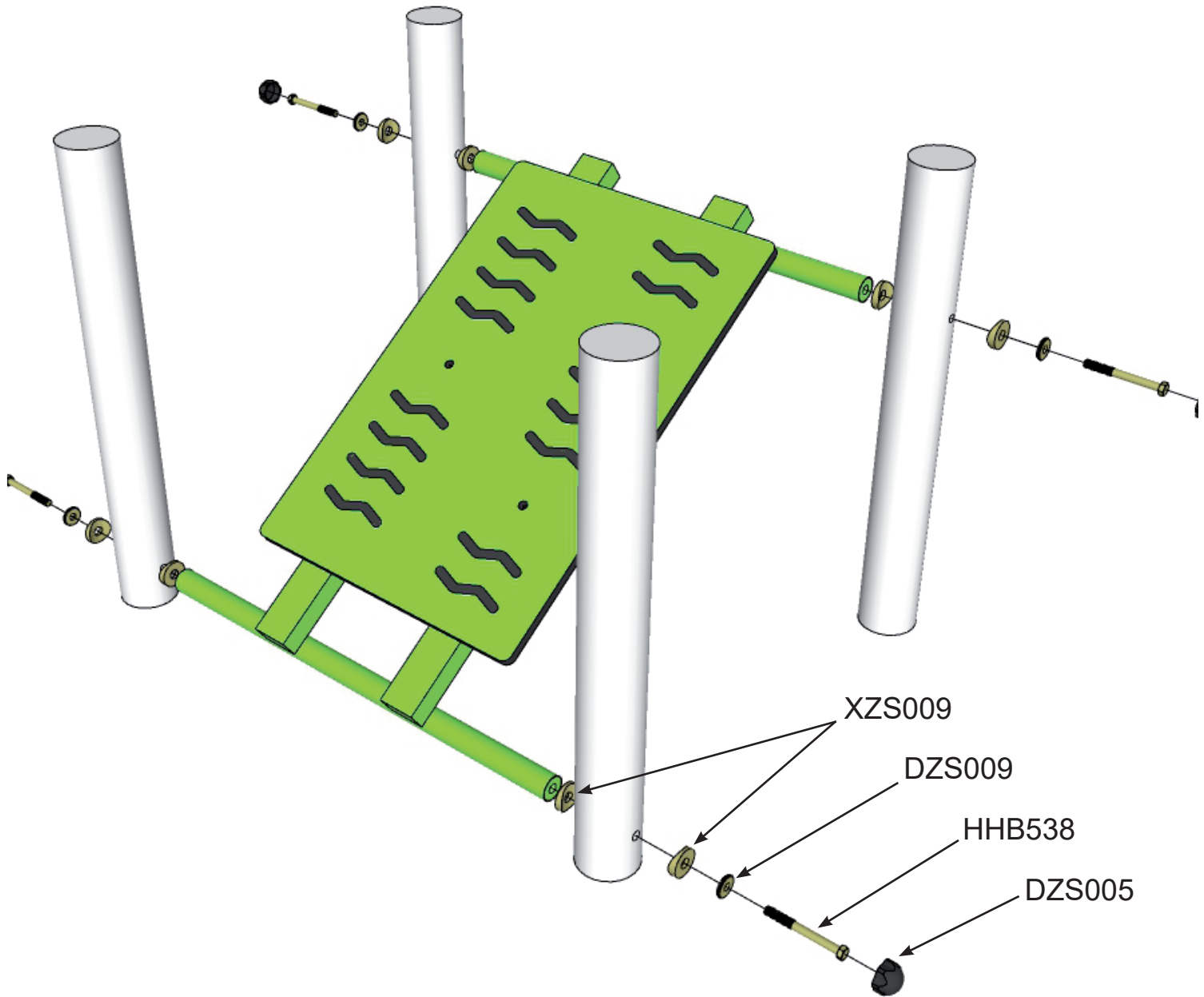


Code	Description	Qty
HSS512	M10 x 35 Hex Head Screw	2
LKN320	M10 Nylock Nut	4
FIX210	2 Part Nut Cover	8
WSR040	M10 st/st Washer	8
HHB516	M10 x 45 Hex Head Bolt	2

MTU044

Minitown 4 Tower Installation Instructions

design
make
play
SutcliffePlay

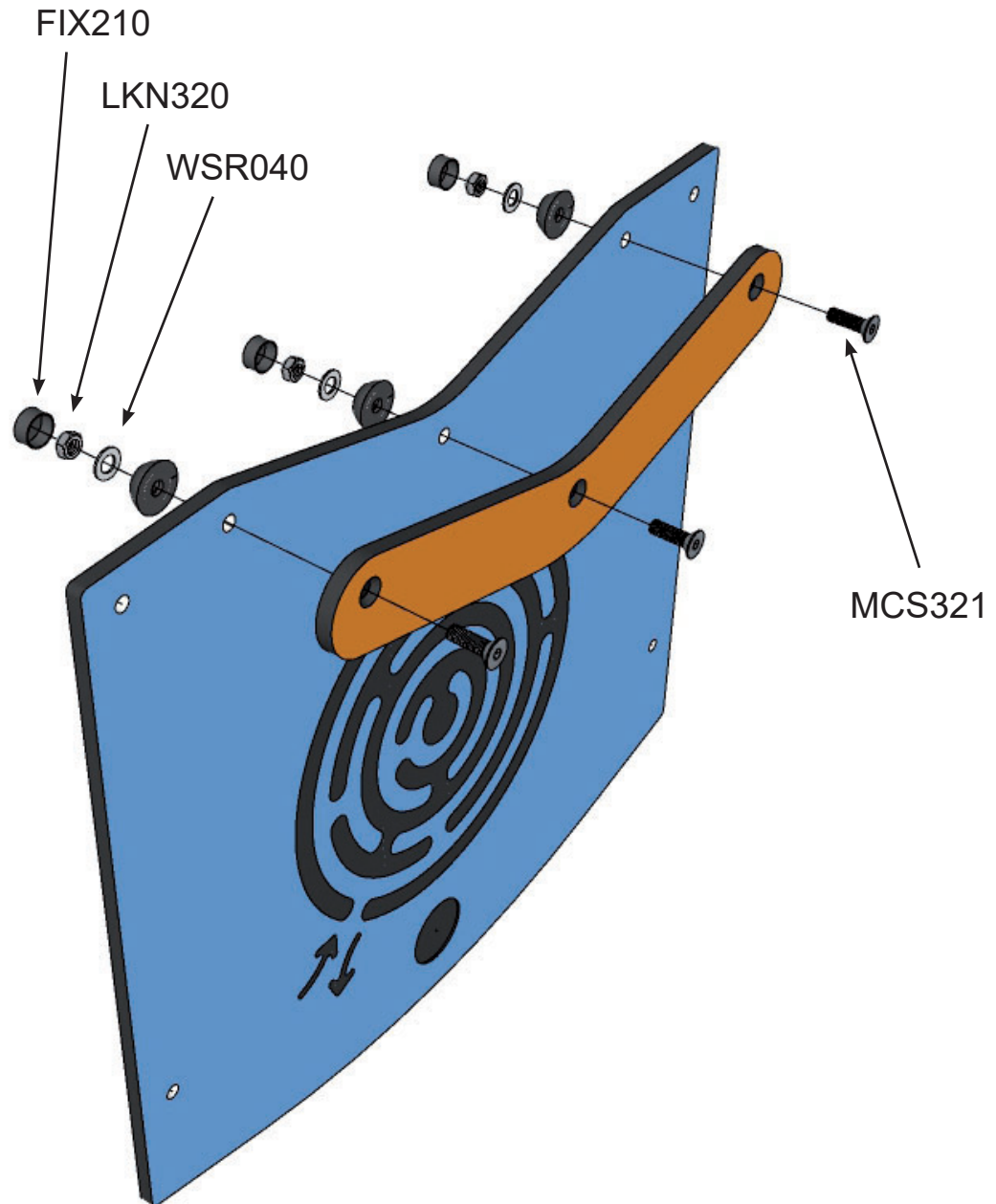


Ref	Description	Qty
1 - DZS009	M10 Cover Washer	4
2 - DZS005	M10 Nut Cover	4
3 - HHB538	M10 x 100 Hex Head bolt	4
4 - XZS009	Saddle Washer	8

MTU044

Minitown 4 Tower Installation Instructions

design
make
play
SutcliffePlay

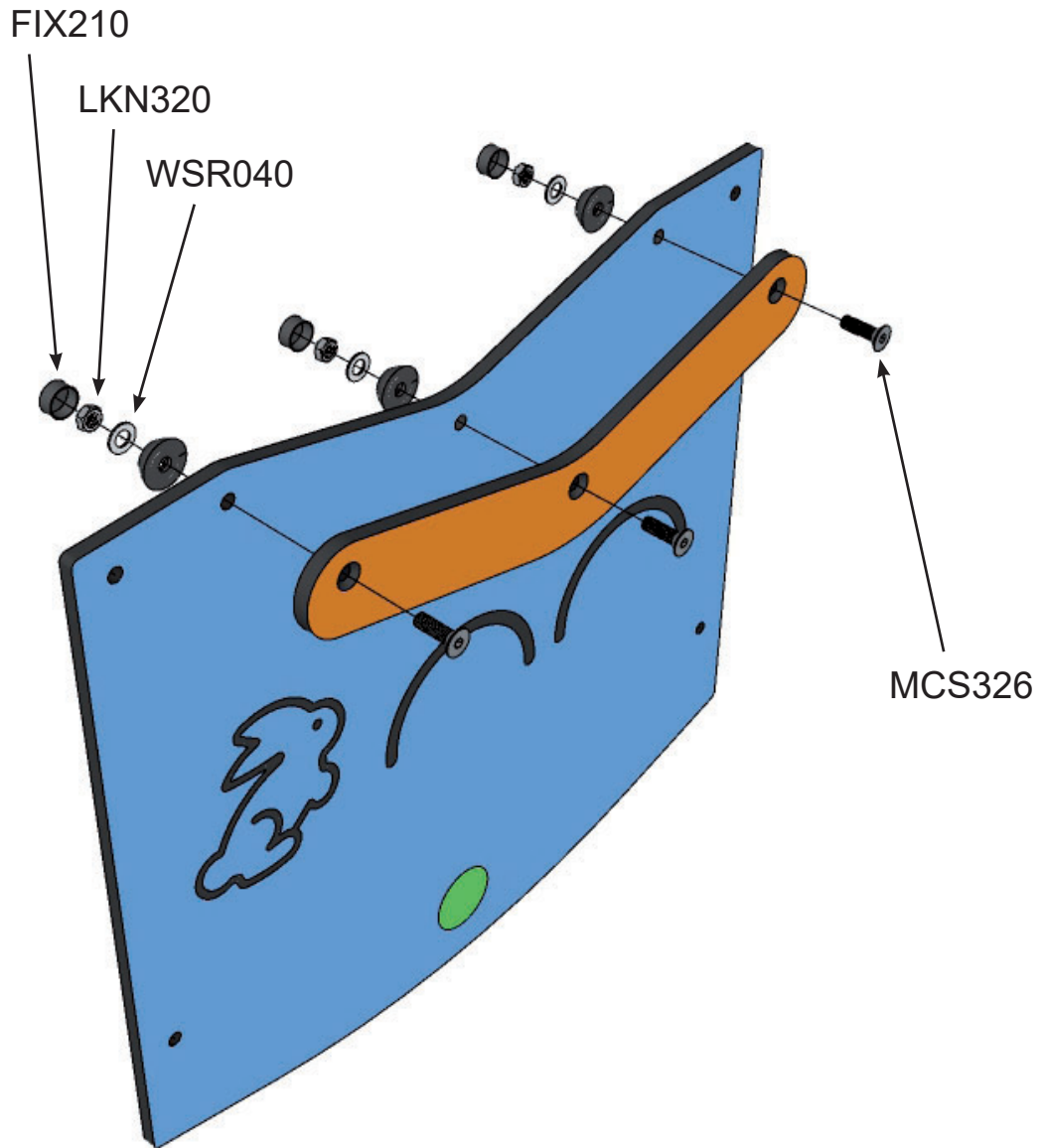


Code	Description	Qty
MCS321	M10 x 35 Countersunk Screw	3
LKN320	M10 Nylock Nut	3
FIX210	2 Part Nut Cover	3
WSR040	M10 Plain Washer	3

MTU044

Minitown 4 Tower Installation Instructions

design
make
play
SutcliffePlay

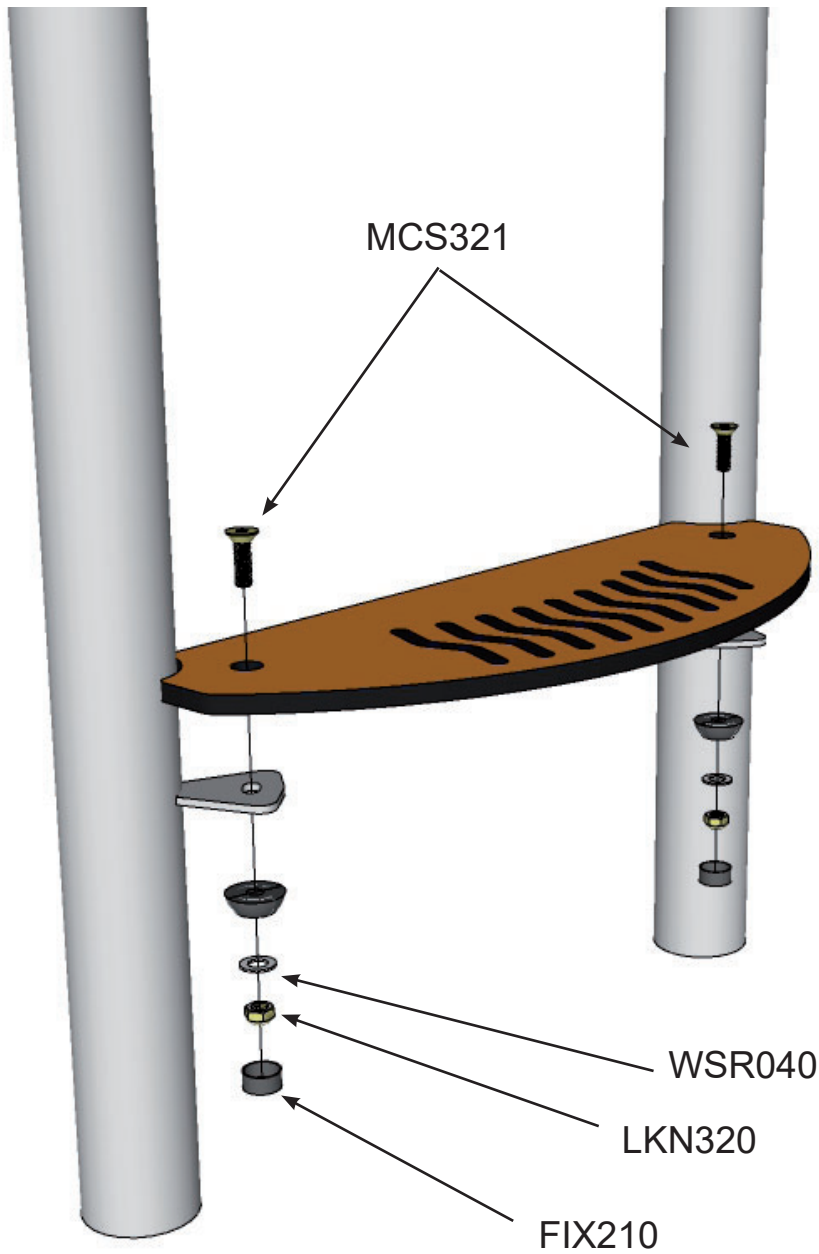


Code	Description	Qty
MCS326	M10 x 40 Countersunk Screw	3
LKN320	M10 Nylock Nut	3
FIX210	2 Part Nut Cover	3
WSR040	M10 Plain Washer	3

MTU044

Minitown 4 Tower Installation Instructions

design
make
play
SutcliffePlay

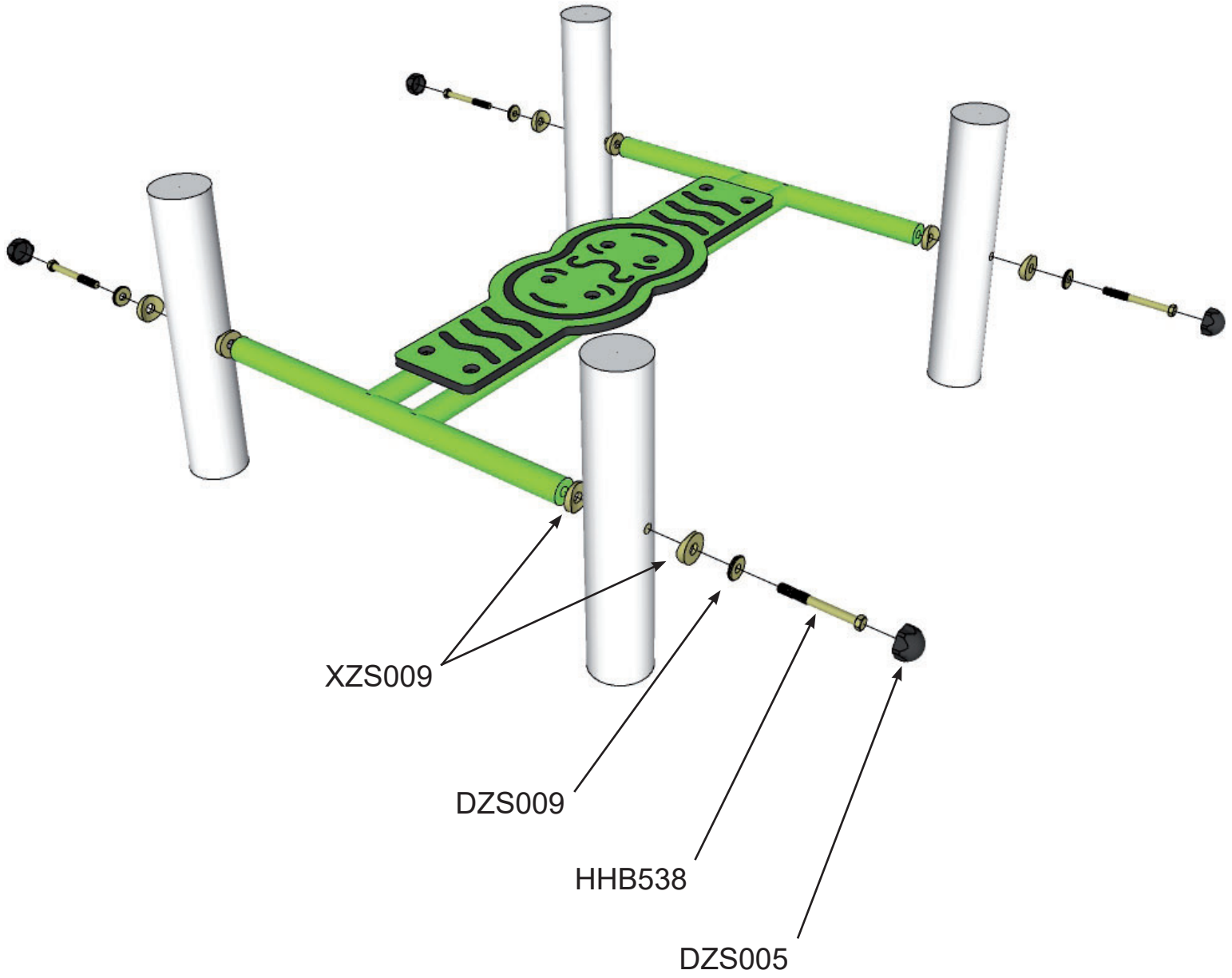


Code	Description	Qty
MCS316	M10 x 30 Countersunk Screw	2
LKN320	M10 Nylock Nut	2
FIX210	2 Part Nut Cover	2
WSR040	M10 st/st Washer	2

MTU044

Minitown 4 Tower Installation Instructions

design
make
play
SutcliffePlay

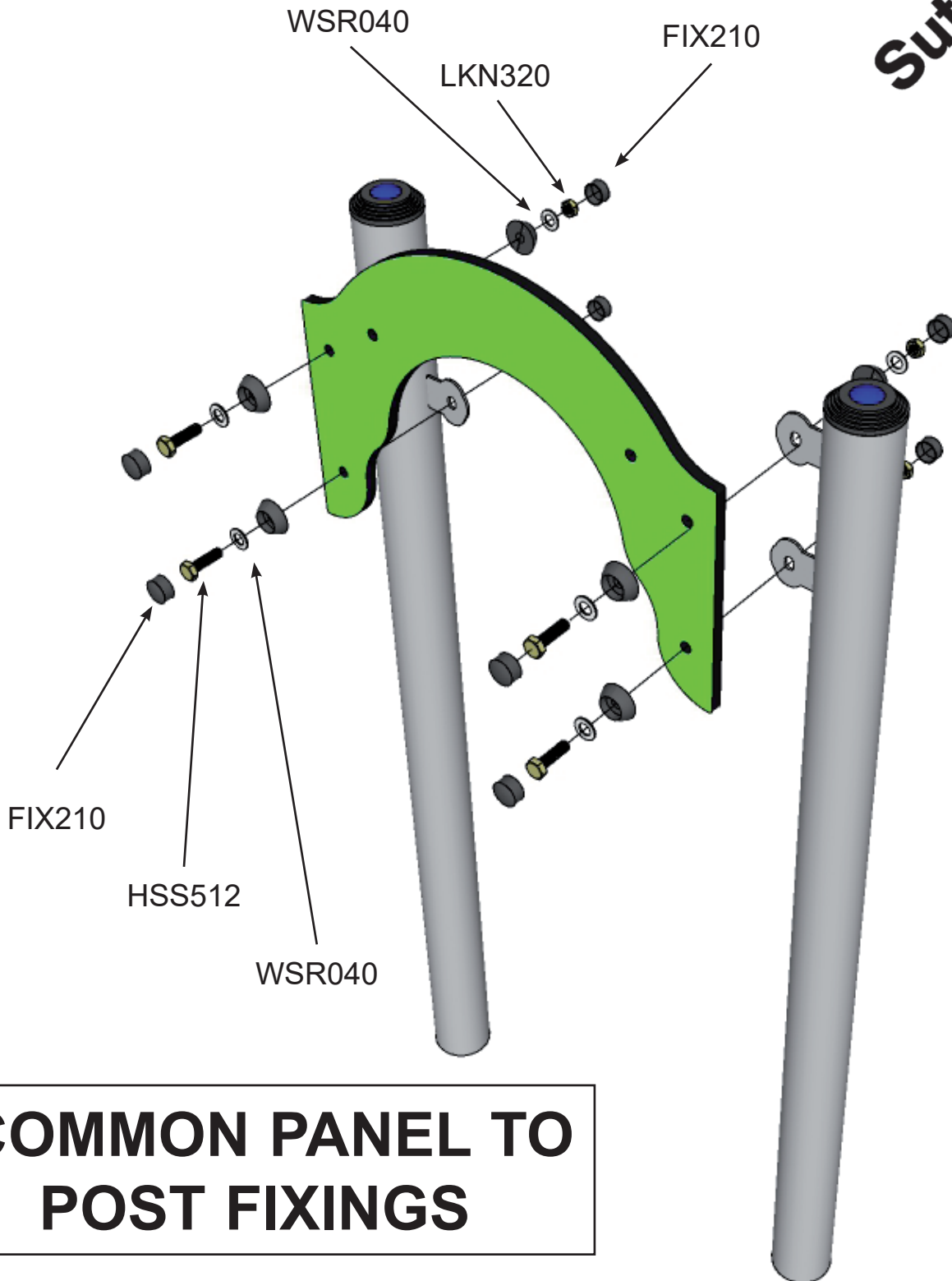


Ref	Description	Qty
1 - DZS009	M10 Cover Washer	4
2 - DZS005	M10 Nut Cover	4
3 - HHB538	M10 x 100 Hex Head bolt	4
4 - XZS009	Saddle Washer	8

MTU044

Minitown 4 Tower

design
make
play
SutcliffePlay



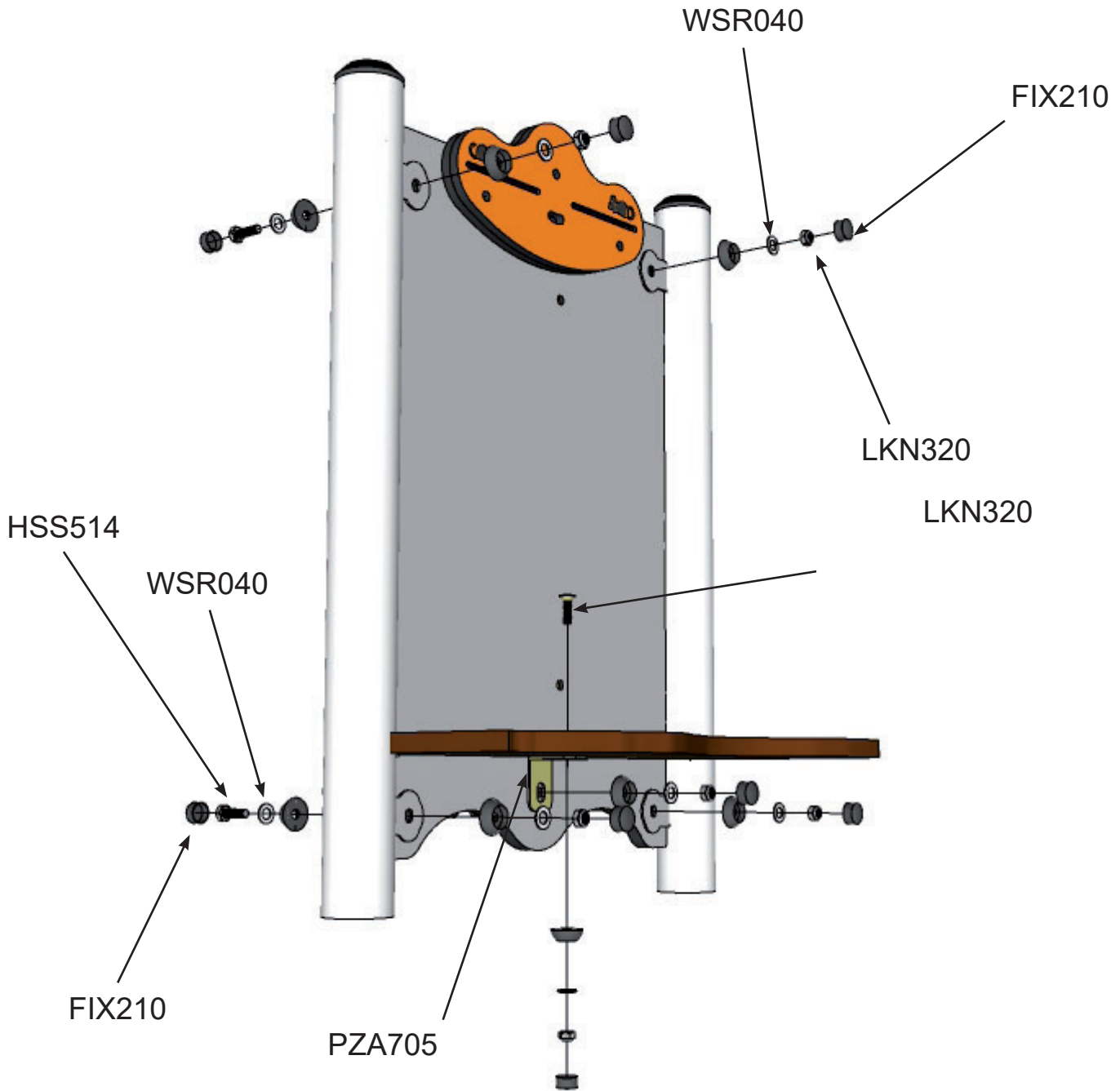
COMMON PANEL TO POST FIXINGS

Code	Description	Qty
HSS512	M10 x 35 Hex Head Screw	4
LKN320	M10 Nylock Nut	4
FIX210	2 Part Nut Cover	8
WSR040	M10 st/st Washer	8

MTU044

Minitown 4 Tower

design
make
play
SutcliffePlay



Code	Description	Qty
HSS514	M10 x 40 Hex Head Screw	5
LKN320	M10 Nylock Nut	5
FIX210	2 Part Nut Cover	9
WSR040	M10 st/st Washer	9
PZA705	90 Degree Bracket	1

MTU044

Minitown 4 Tower Maintenance Instructions



NOTE

The warranty is invalidated if these instructions are not followed.
All wood needs annual inspection and retreatment where required.

Recommended Regular Inspection and Maintenance

	Interval Days				
	7	14	28	56	365
Check stability of structure, tighten connections if required.	<input type="checkbox"/>	<input type="checkbox"/>	<input type="checkbox"/>	<input checked="" type="checkbox"/>	<input type="checkbox"/>
Check all uprights at ground level for corrosion and/or rot. Replace any defective parts.	<input type="checkbox"/>	<input type="checkbox"/>	<input type="checkbox"/>	<input type="checkbox"/>	<input checked="" type="checkbox"/>
Check all painted elements for damage, rub down and repaint or replace as required.	<input type="checkbox"/>	<input type="checkbox"/>	<input type="checkbox"/>	<input checked="" type="checkbox"/>	<input type="checkbox"/>
Check chain/ropework assemblies for wear and damage, replace if required.	<input type="checkbox"/>	<input checked="" type="checkbox"/>	<input type="checkbox"/>	<input type="checkbox"/>	<input type="checkbox"/>
Check rotating and pivot points for wear and smooth running lubricate or replace if required.	<input type="checkbox"/>	<input type="checkbox"/>	<input checked="" type="checkbox"/>	<input type="checkbox"/>	<input type="checkbox"/>
Check rubber parts for wear and/or damage, replace if required.	<input type="checkbox"/>	<input type="checkbox"/>	<input checked="" type="checkbox"/>	<input type="checkbox"/>	<input type="checkbox"/>
Check tension cables, adjust if required.	<input type="checkbox"/>	<input type="checkbox"/>	<input checked="" type="checkbox"/>	<input type="checkbox"/>	<input type="checkbox"/>
Check wear of cables, replace if required.	<input type="checkbox"/>	<input type="checkbox"/>	<input checked="" type="checkbox"/>	<input type="checkbox"/>	<input type="checkbox"/>
Check slide chutes for smoothness and any foreign elements, remove any found.	<input type="checkbox"/>	<input type="checkbox"/>	<input checked="" type="checkbox"/>	<input type="checkbox"/>	<input type="checkbox"/>
Check rubber safety surfaces for damage and poor performance, repair or replace if required.	<input type="checkbox"/>	<input type="checkbox"/>	<input type="checkbox"/>	<input checked="" type="checkbox"/>	<input type="checkbox"/>
Check loose fill safety surfaces, remove any foreign elements, rake level and top up if required.	<input type="checkbox"/>	<input type="checkbox"/>	<input checked="" type="checkbox"/>	<input type="checkbox"/>	<input type="checkbox"/>

Disposal Instructions

All components should be broken down into categories of:-

- 1 **Mild Steel** - all Swing Frames, Playzone, Toddlerzone, Teenzone activities, Deck Frames and Springie Frames.
- 2 **Stainless Steel** - all Slides, Mirror Panels.
- 3 **Aluminium** - all Playzone and Toddlerzone Posts.
- 4 **Galvanised Steel** - all Chains and Teenzone Posts.
- 5 **Moulded Rubber Products without steel inserts** - all Toddlerzone Caps and edge details.
- 6 **Timber** - all natural timber, plywood, and MDF panels.

Wherever possible these materials should be taken to specialist recycling organisations and recycled.

In some cases where composite materials are used, then disposal at land fill sites is the only alternative such as:

- 7 **Moulded Rubber Products encasing steel inserts** - all Swing Seats, Deck Tops, Duo/Dizzy Disc Tops.
- 8 **High Pressure Laminate** - all Toddlerzone, Playzone and Teenzone Panels.
- 9 **Steel Core Polypropylene Rope** - all Scramble Nets, Space Nets, Playzone/Toddlerzone Ropes.