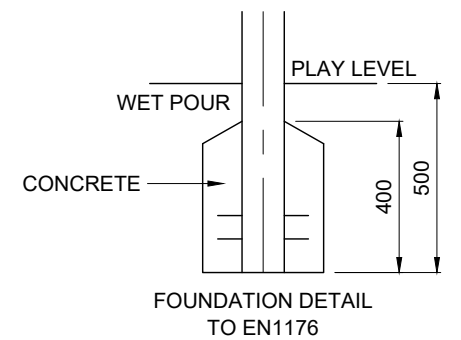
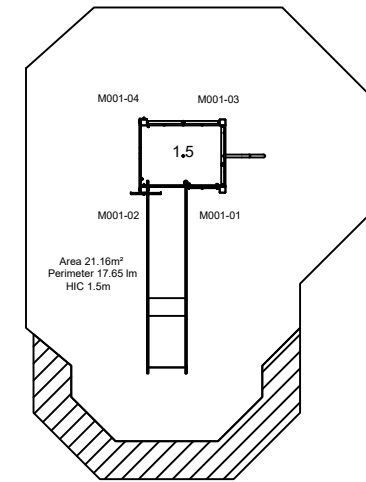
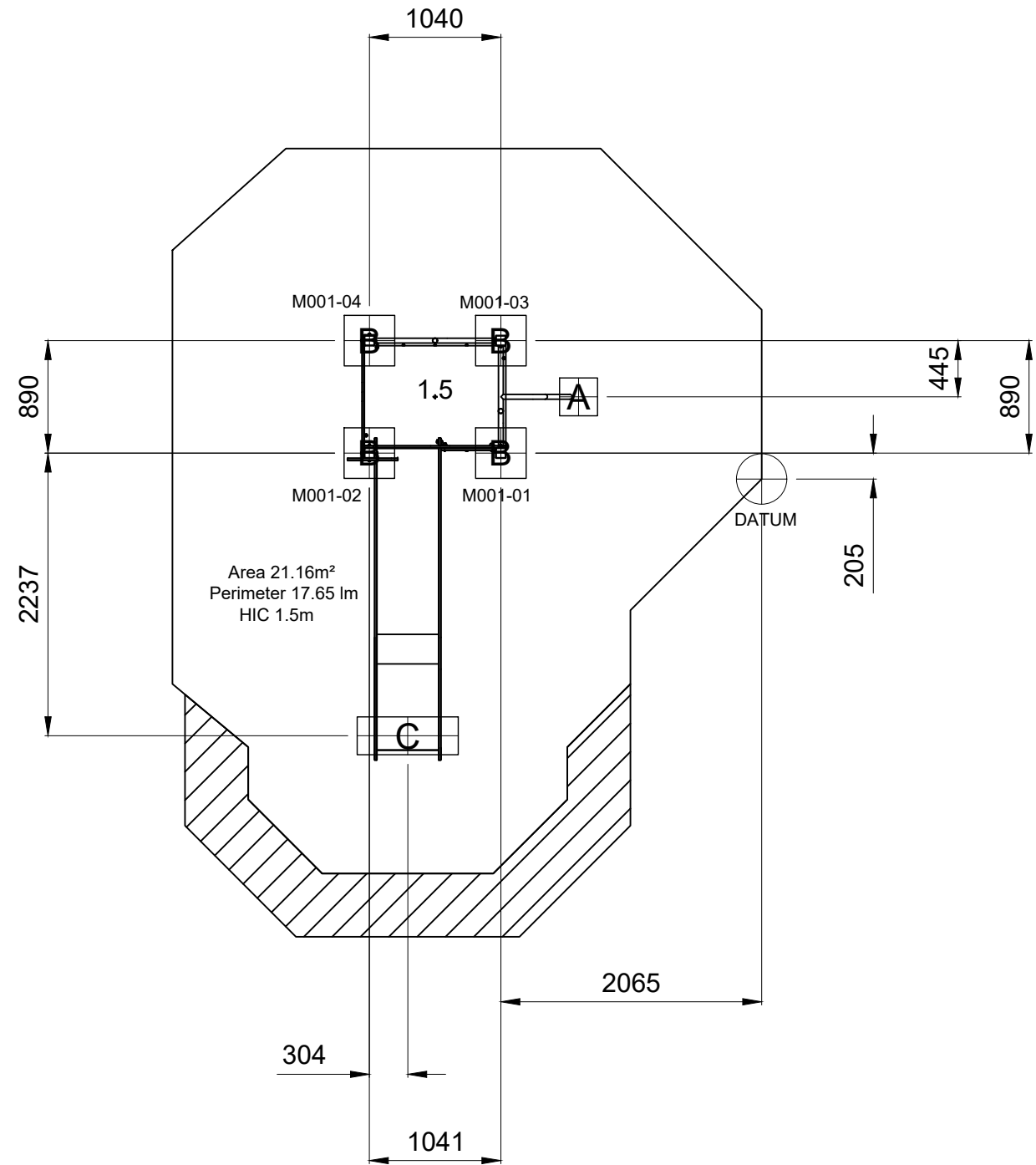


FOUNDATION DETAILS
 DO NOT SCALE THIS DRAWING
 SCALE 1:50 WHEN PRINTED ON A3

design
 make
 play
SutcliffePlay

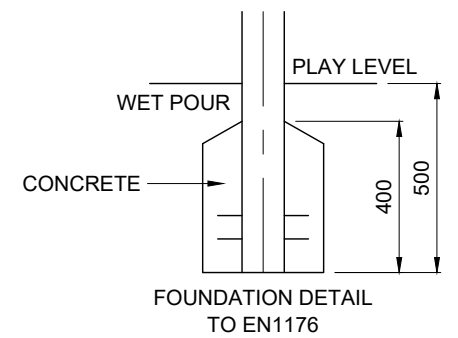
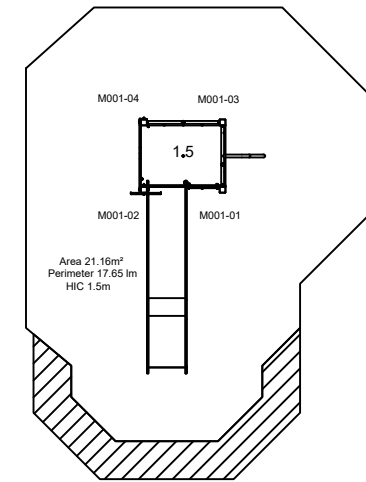
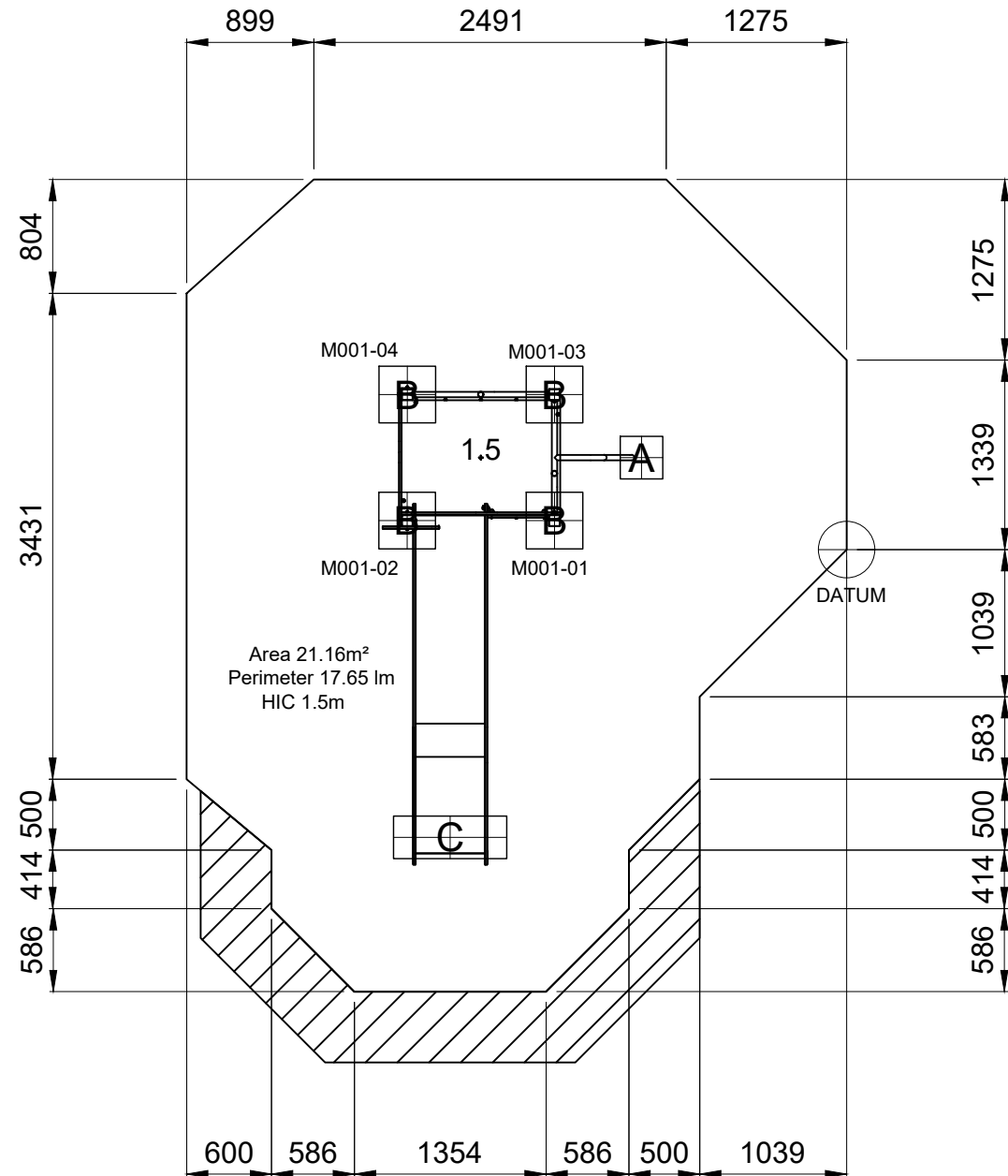


REQUIREMENTS
 TO EN1176
 →

GROUND PLAN	MNW001(1)
REV	00
DRAWN	RS
SCALE	1:50 @ A3
DATE	26.11.2025
SAFETY SURFACE AREA	PERIMETER 17.65m HIC 1.5m AREA 21.16m ²
HOLE A	300x300x500 DEEP
HOLE B	400x400x500 DEEP
HOLE C	300x800x500 DEEP

SURFACING DETAILS
 DO NOT SCALE THIS DRAWING
 SCALE 1:50 WHEN PRINTED ON A3

design
 make
 play
SutcliffePlay



REQUIREMENTS
 TO EN1176
 →

GROUND PLAN	MNW001(2)
REV	00
DRAWN	RS
SCALE	1:50 @ A3
DATE	26.11.2025
SAFETY SURFACE AREA	PERIMETER 17.65m HIC 1.5m AREA 21.16m ²
HOLE A	300x300x500 DEEP
HOLE B	400x400x500 DEEP
HOLE C	300x800x500 DEEP