

design
make
play

SutcliffePlay

Waggon Lane
Upton Pontefract
West Yorkshire WF9 1JS
Telephone +44 (0) 1977 653200
Facsimile +44 (0) 1977 653222
info@sutcliffeplay.co.uk
www.sutcliffeplay.co.uk



Fantasy - SPRITE

Installation Instructions

FTW024

FTW024

Unit Installation Instructions

design
make
play
SutcliffePlay

1. Check using the Parts List that none of the components are missing.
2. Plan the final position of the play equipment ensuring there is sufficient space.
3. Sort and identify parts before assembly.
4. Excavate the foundation holes in accordance with the plan. Ensuring post holes are levelled and chocked in at the bottom of the holes.
5. Position 2 x 300mm long spragging irons into the holes provided in each post upright and stand in the foundation holes.
Do not tighten the fixing bolts until all the activities have been assembled.
6. Assemble the activities onto the posts as per the diagrams in this document. Leave fixing bolts loose until all the activities have been assembled. Ground fixed activities need 200mm spragging irons positioned through their holes.
7. Assemble the slide as per the diagrams in this document.
8. When all activities have been assembled, tighten all the fixings, attach nut covers where necessary, ensure the unit is level and the posts are vertical.
9. Fill the foundation holes to the required depth with concrete.
10. Do not allow the equipment to be used until the concrete has set (2 - 3 days) and the required safety surfacing has been installed.
11. Tighten all fixing bolts.
12. Follow the maintenance instructions supplied.

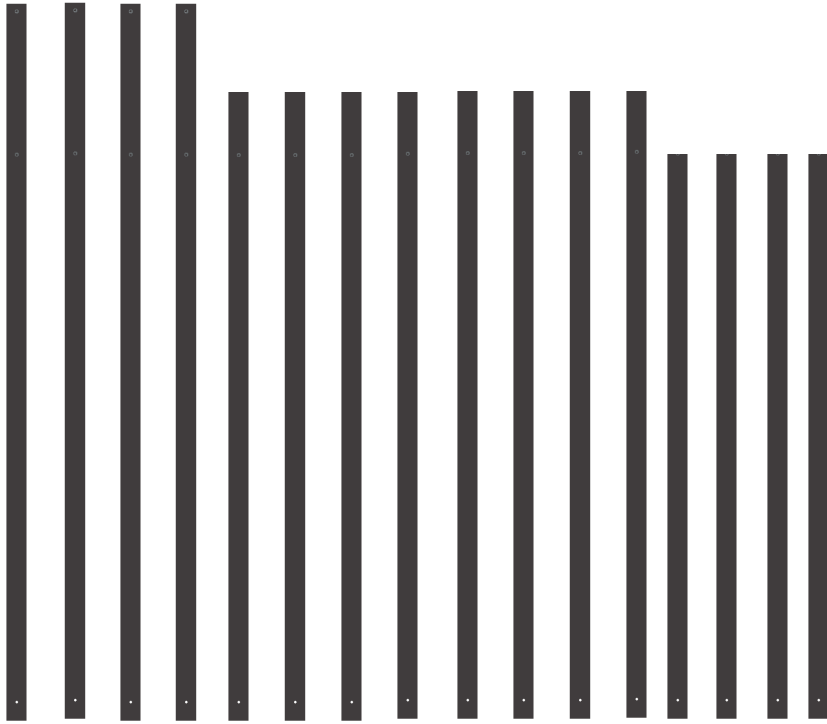
NB:

1. Slide runouts should be inclined downwards by approximately 2 degrees for drainage purposes.
2. During installation care must be taken to prevent hazards to children.
3. Extra care should be taken if conditions are abnormal.

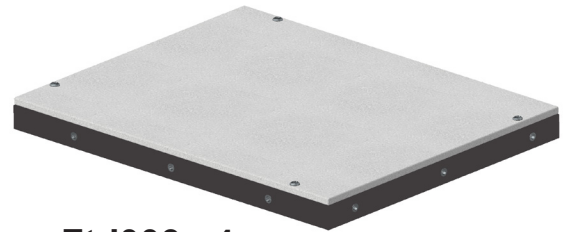
FTW024

Unit Parts List

design
make
play
SutcliffePlay



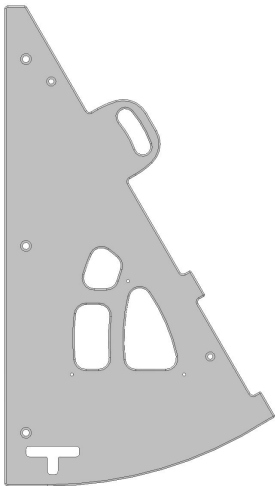
FTP024 x1
Set of 16 Posts



Ftd003 x4



Fta070 x1



Fta009 x2



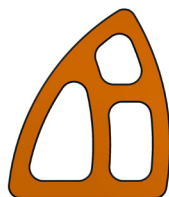
Fta012 x1



Fta011 x1



Fta013 x1



Fta014 x1



Fta015 x6

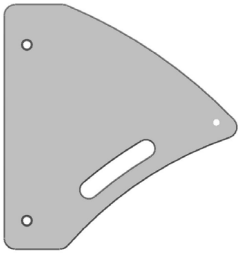


FTW024F x1

FTW024

Unit Parts List

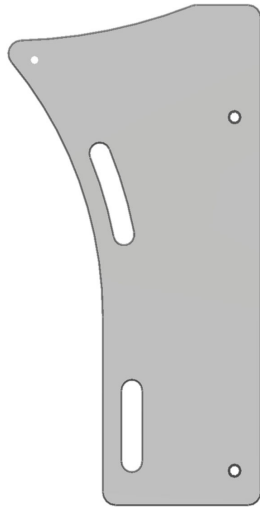
design
make
play
SutcliffePlay



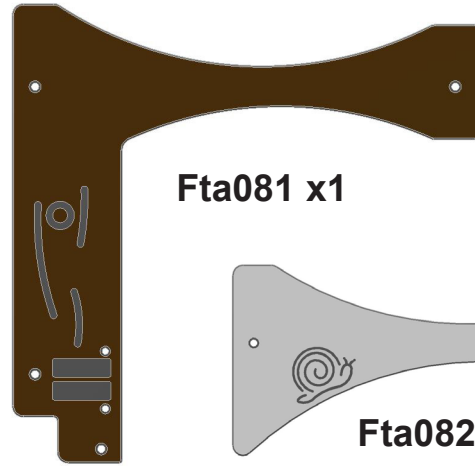
Fta016 x2



Fta018 x2



Fta017 x2



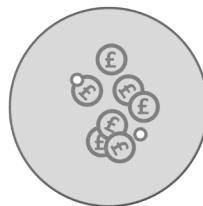
Fta081 x1



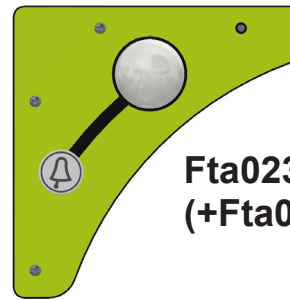
Fta082 x1



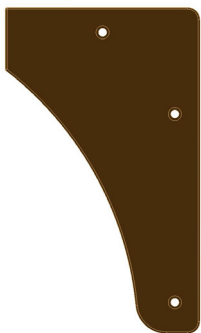
Fta083 x1



Fta022 x1



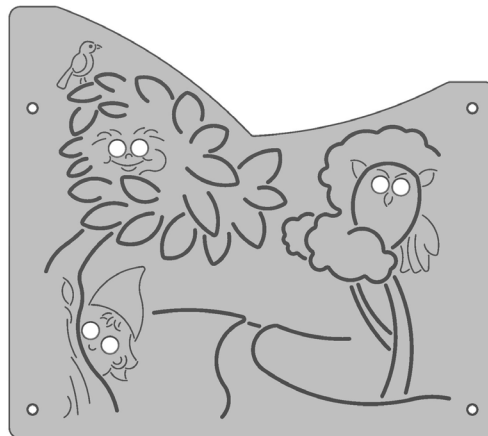
Fta023 x1
(+Fta024, Pzb678)



Fta025 x1



Fta026 x1



Fta084 x1

FTW024

Unit Parts List

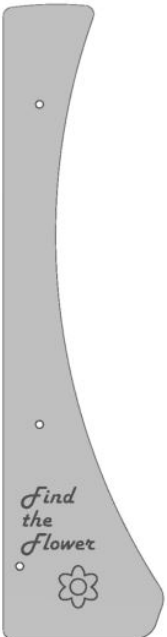
design
make
play
SutcliffePlay



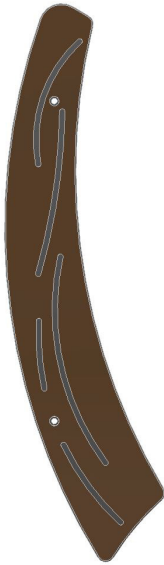
Fta029 x2



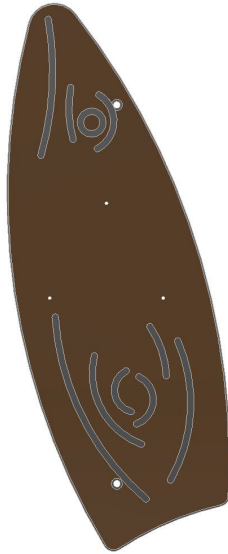
Fta032 x1



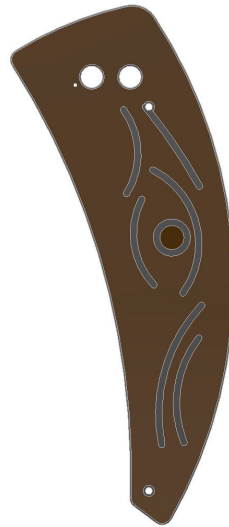
Fta088 x2



Fta072 x2



Fta090 x2



Fta074 x2



Fta089 x2



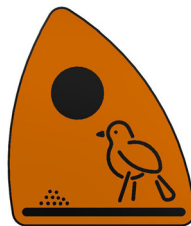
Fta034 x2



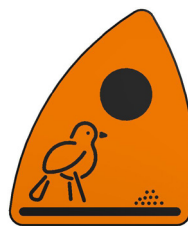
Fta040 x1



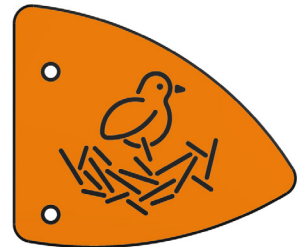
Fta041 x1



Fta091 x1



Fta092 x1

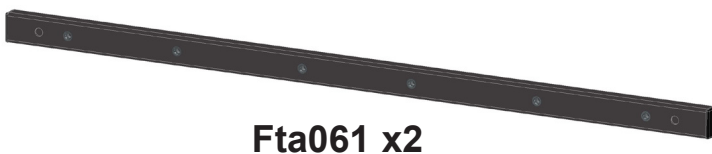
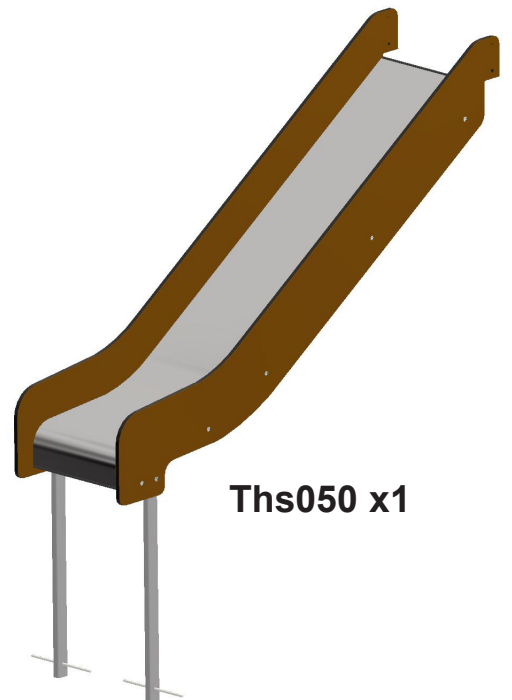
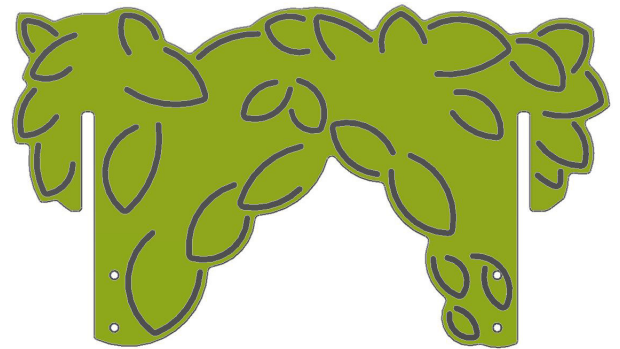
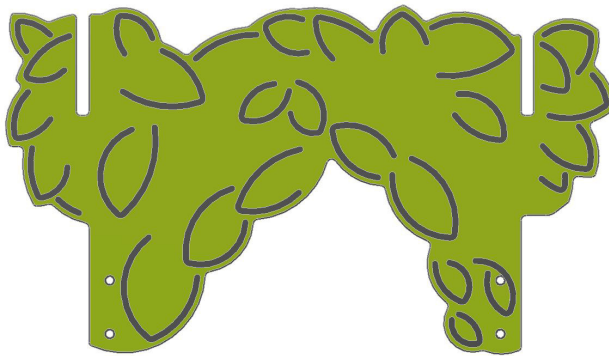
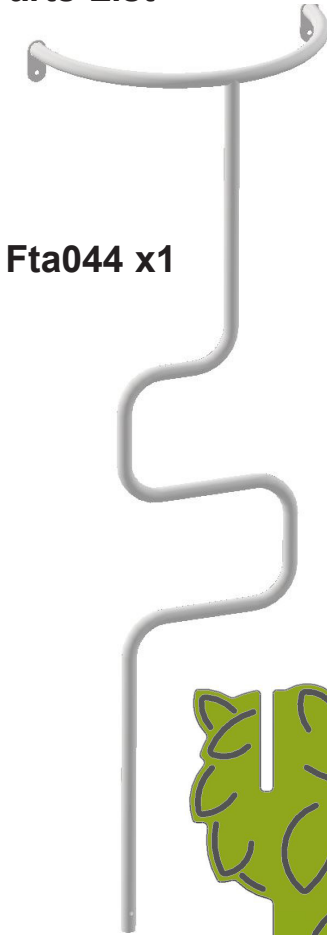


Fta100 x2

FTW024

Unit Parts List

design
make
play
SutcliffePlay



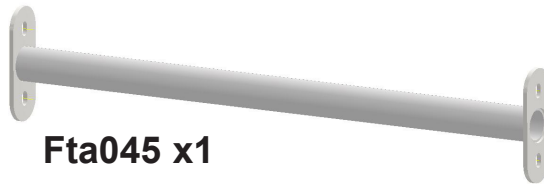
FTW024

Unit
Parts List

design
make
play
SutcliffePlay



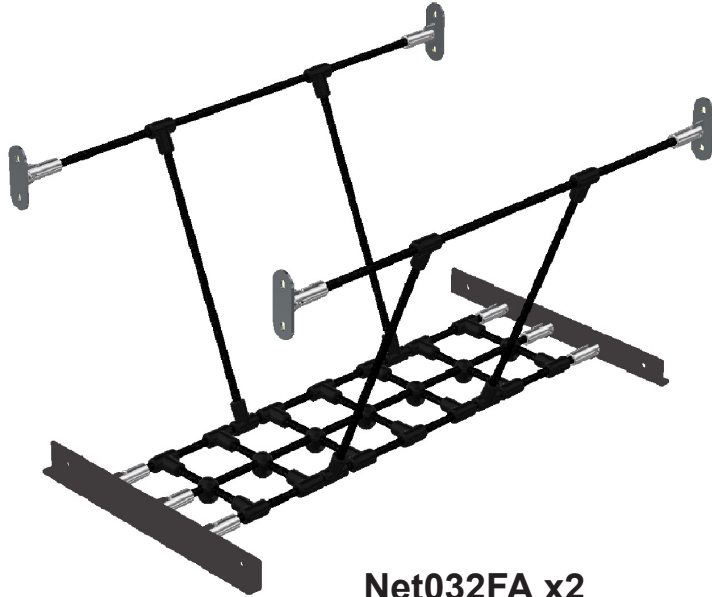
Fta043 x1



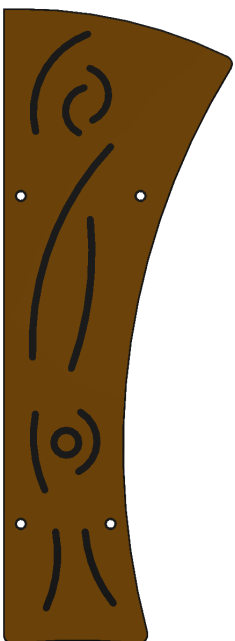
Fta045 x1



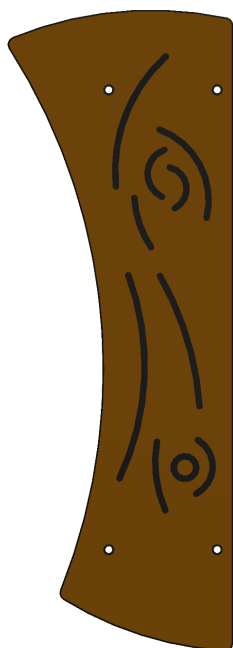
Fta049 x4



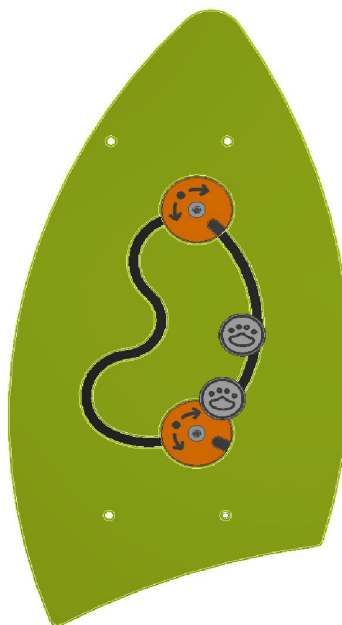
Net032FA x2



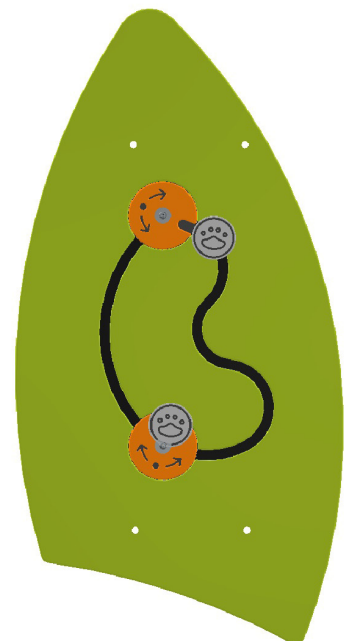
Fta102 X2



Fta101 X2



Fta065 X1

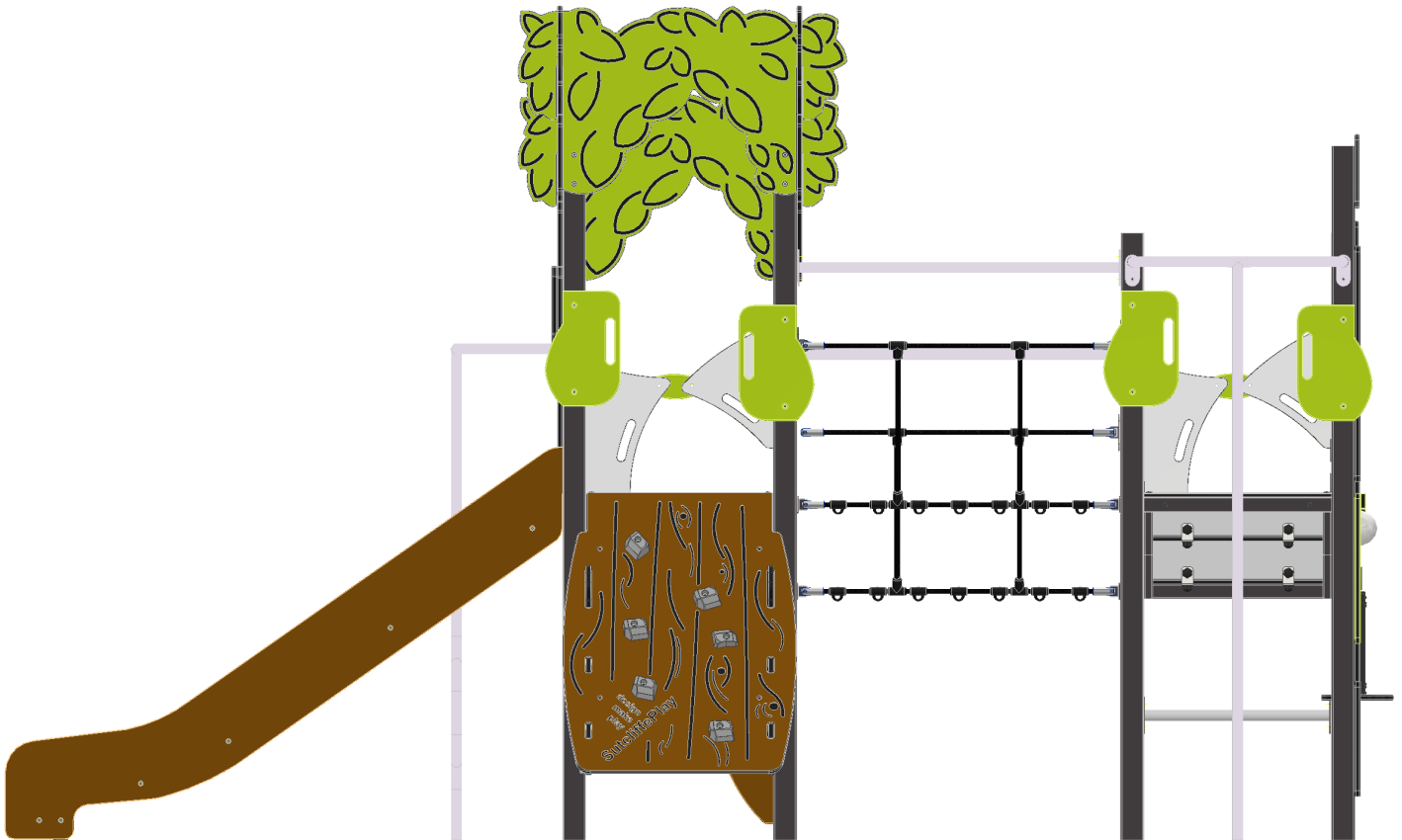
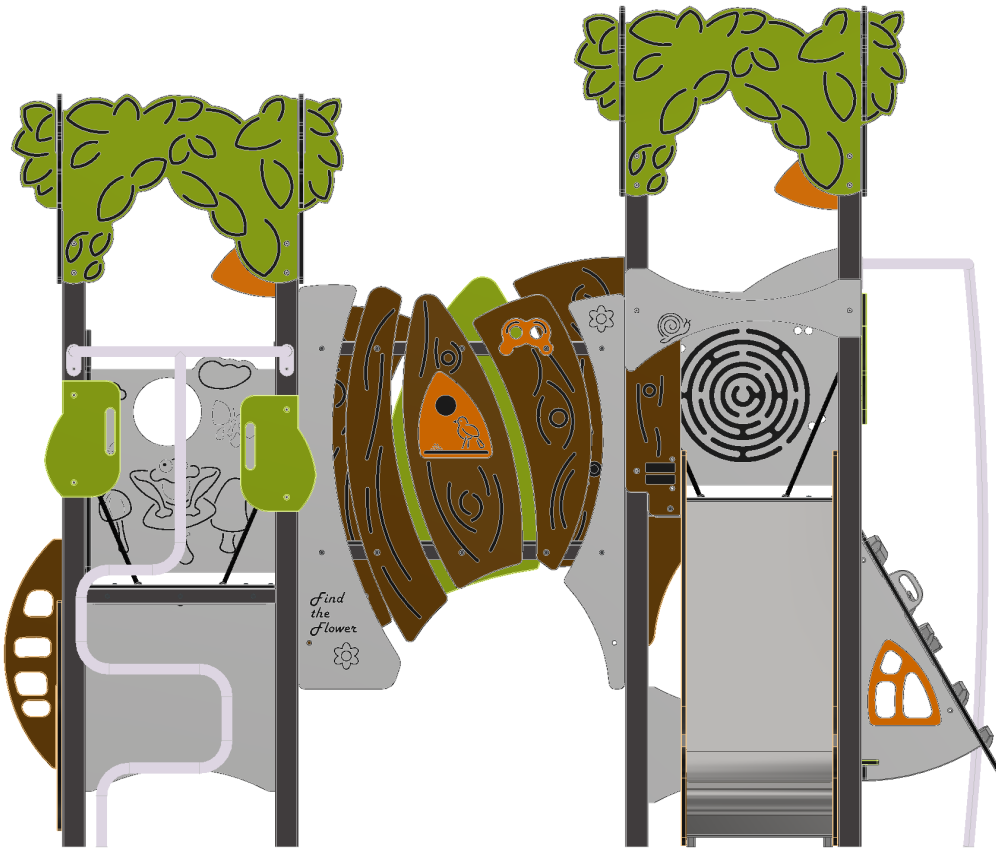


Fta063 X1

FTW024

Standard Views

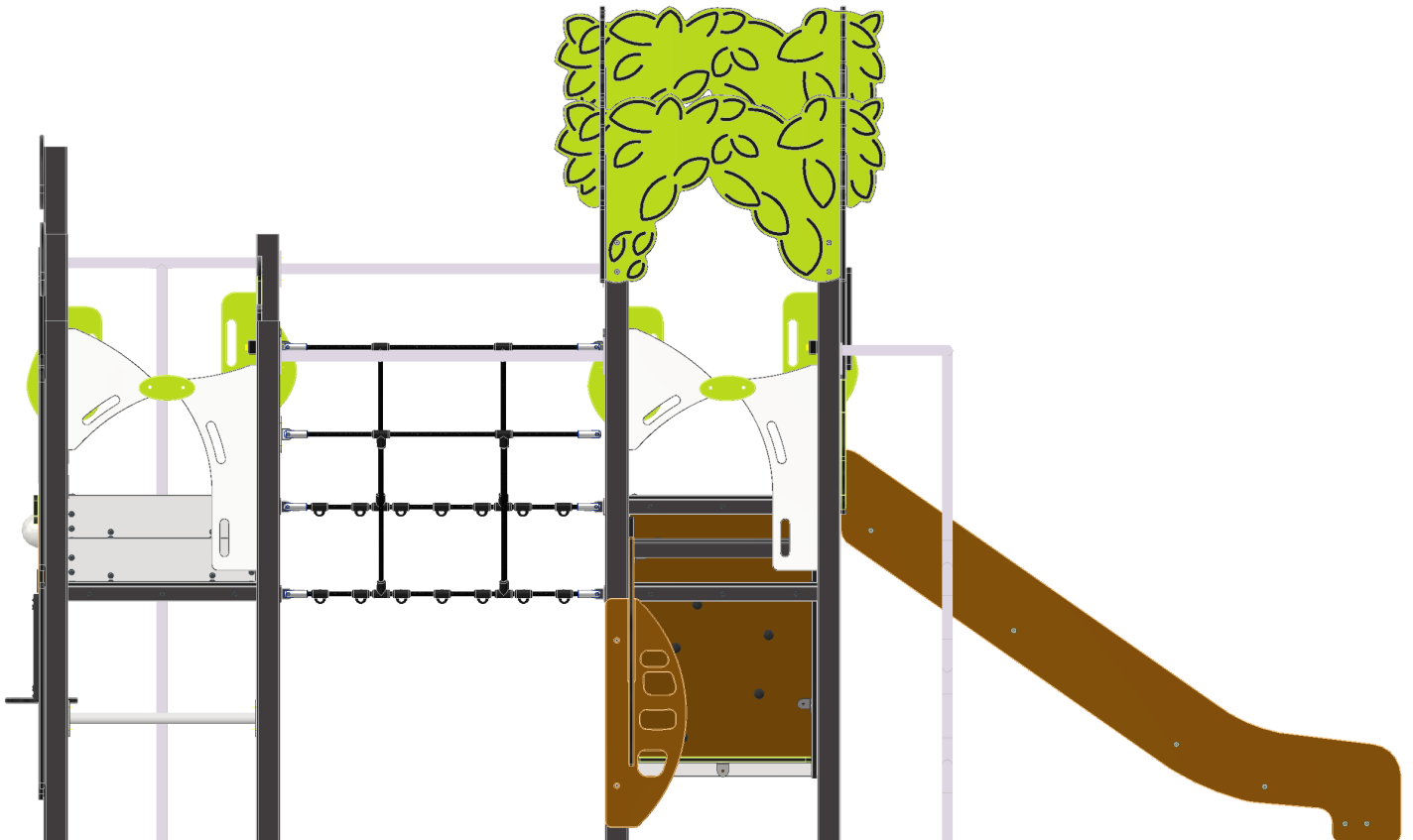
design
make
play
SutcliffePlay



FTW024

Standard Views

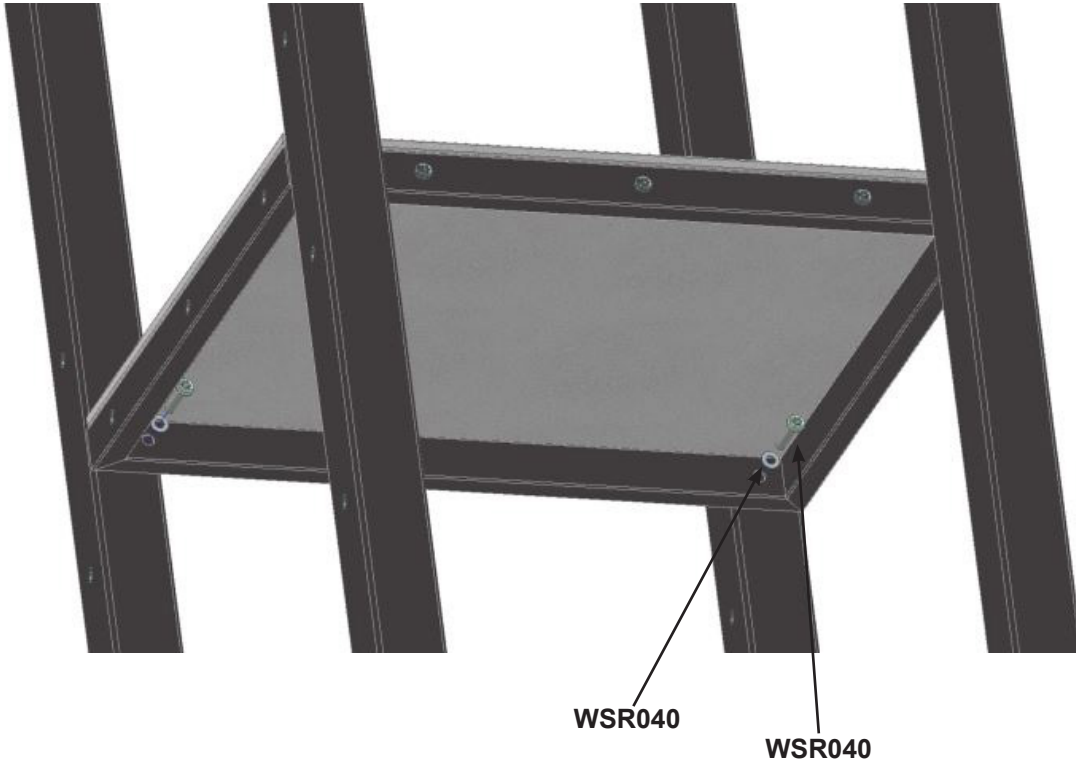
design
make
play
SutcliffePlay



FTW024

Deck Fixings

design
make
play
SutcliffePlay

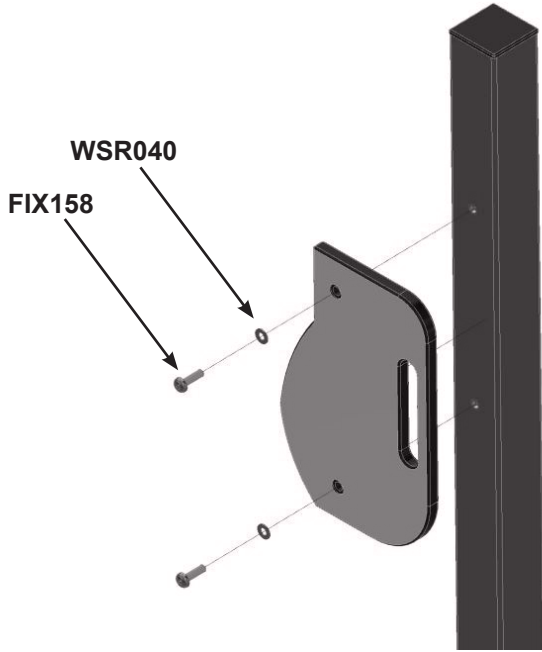


Ref	Description	Qty
WSR040	M10 Plain Washer	4
FIX160	M10 x 50 Security Bolt	4

FTW024

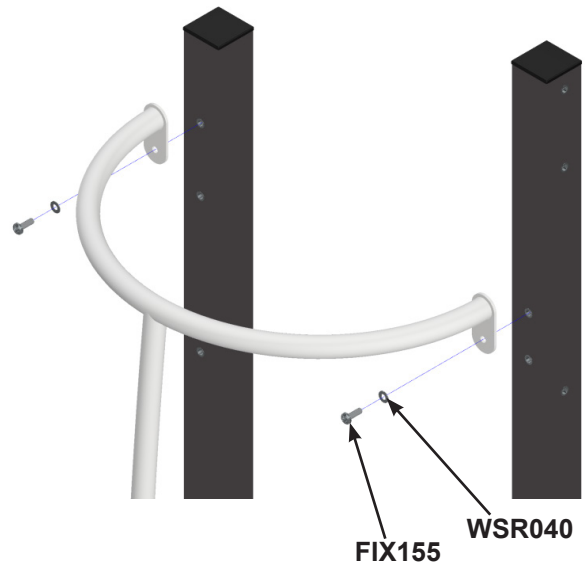
Standard Fixings

19mm THK Panel to Framework.



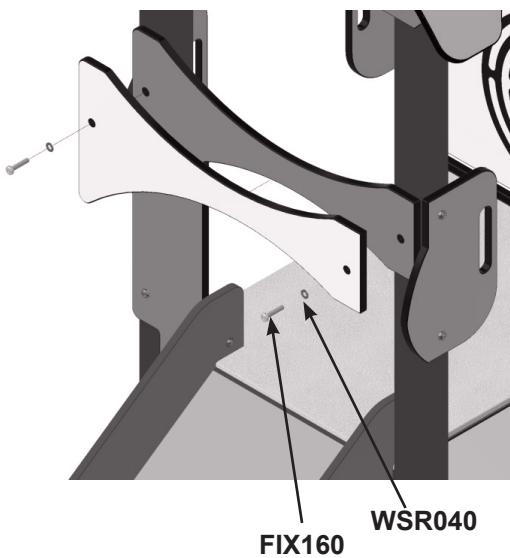
Ref	Description	Qty
WSR040	M10 Plain Washer	1
FIX158	M10 x 35 Security Bolt	1

5mm Plates to Framework.



Ref	Description	Qty
WSR040	M10 Plain Washer	1
FIX155	M10 x 30 Security Bolt	1

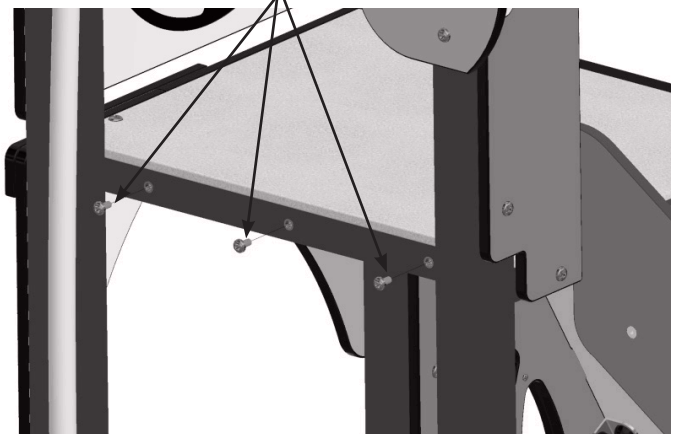
19mm 2 Layers Panel to Framework.



Ref	Description	Qty
WSR040	M10 Plain Washer	1
FIX160	M10 x 50 Security Bolt	1

Capping Holes.

FIX150
Cap all holes after unit is fully assembled.

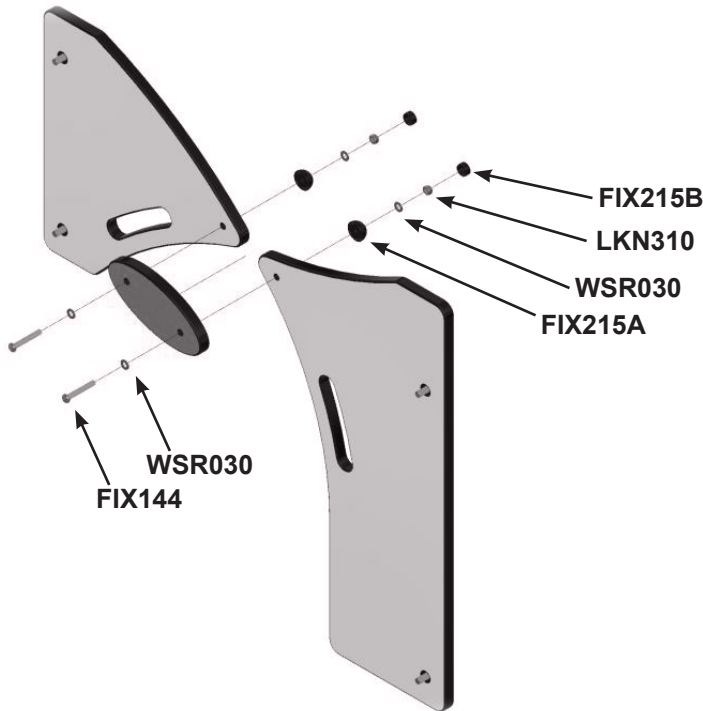


Ref	Description
FIX150	M10 x 20 Security Bolt

FTW024

Assembly Fixings

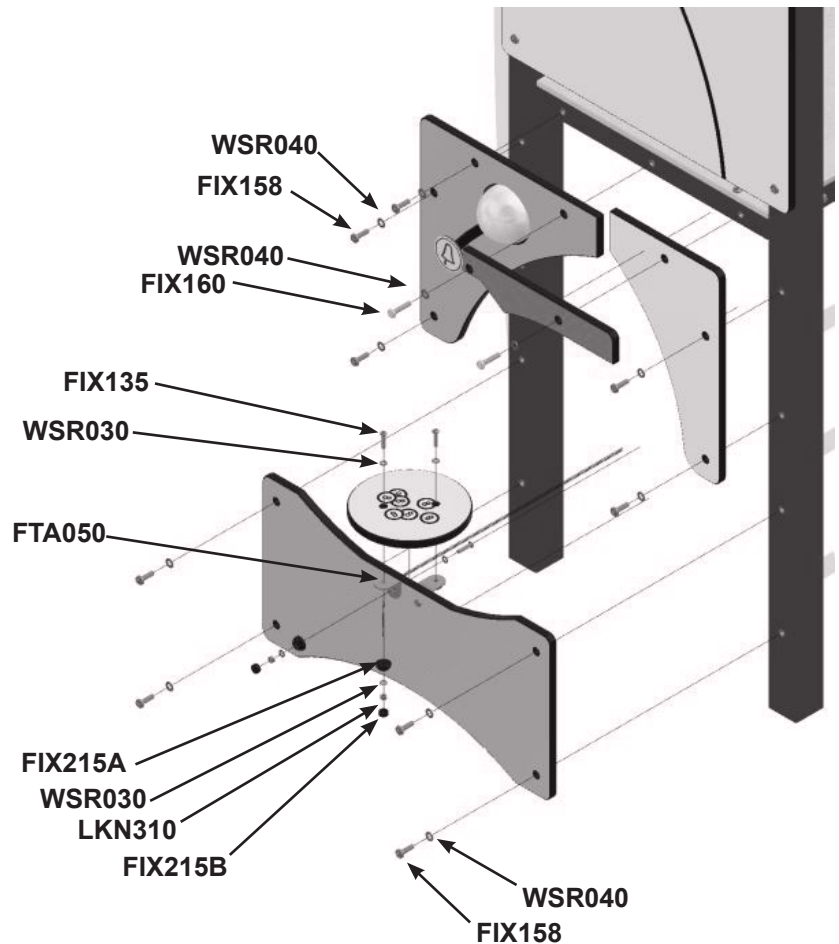
Standard Entrance Fixings.



Ref	Description	Qty
WSR030	M8 Plain Washer	4
FIX144	M8 x 55 Security Bolt	2
FIX215A	M8 2 Part Cover - Base	2
LKN310	M8 Nyloc Nut	2
FIX215B	M8 2 Part Cover - Cap	2

Treehouse Assembly.

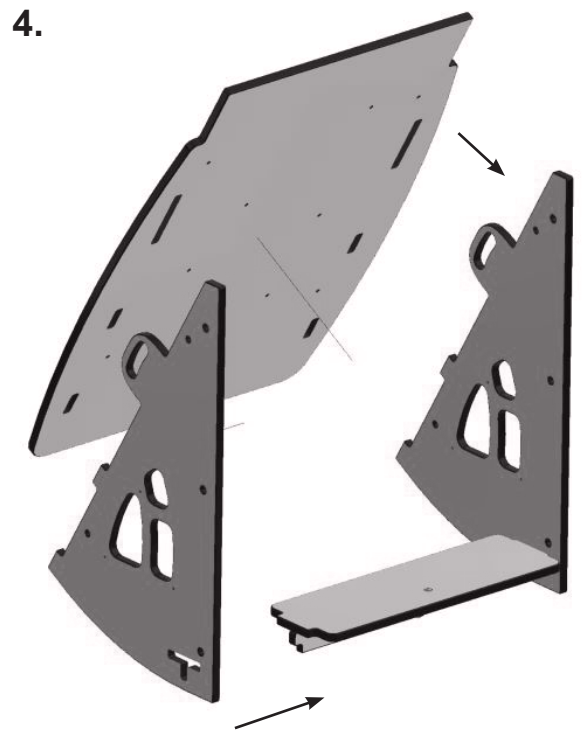
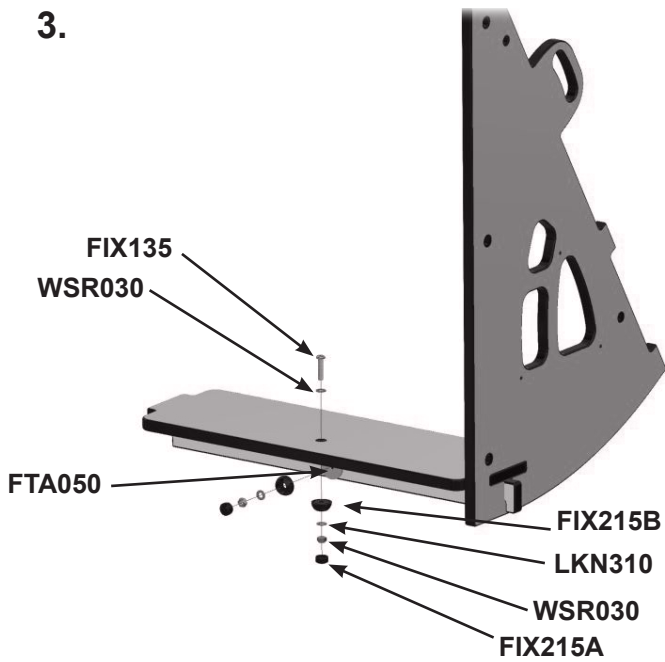
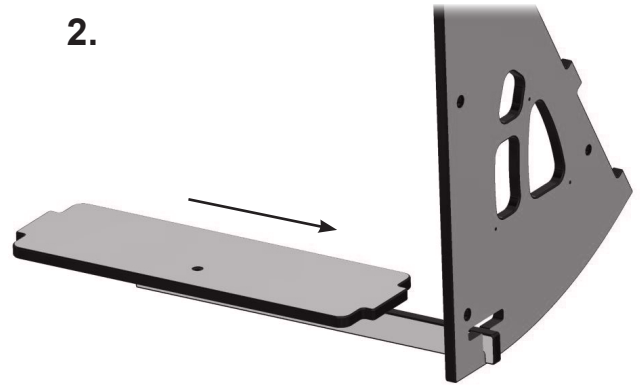
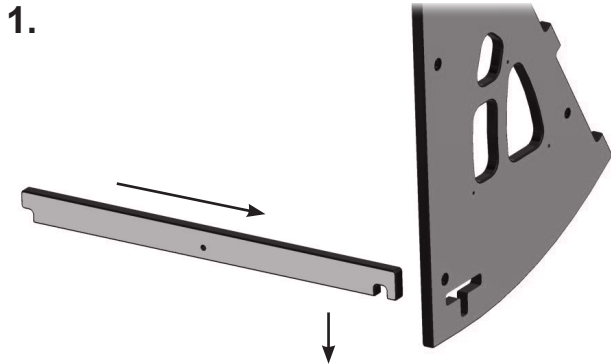
Ref	Description	Qty
FIX158	M10 x 35 Security Bolt	9
FIX160	M10 x 50 Security Bolt	2
WSR040	M10 Plain Washer	11
WSR030	M8 Plain Washer	8
FIX135	M8 x 35 Security Bolt	4
FIX215A	M8 2 Part Cover - Base	4
LKN310	M8 Nyloc Nut	4
FIX215B	M8 2 Part Cover - Cap	4
FTA050	L-Bracket 50 x 50 ST/ST	2



FTW024

Assembly Fixings

Climbing Wall Assembly.

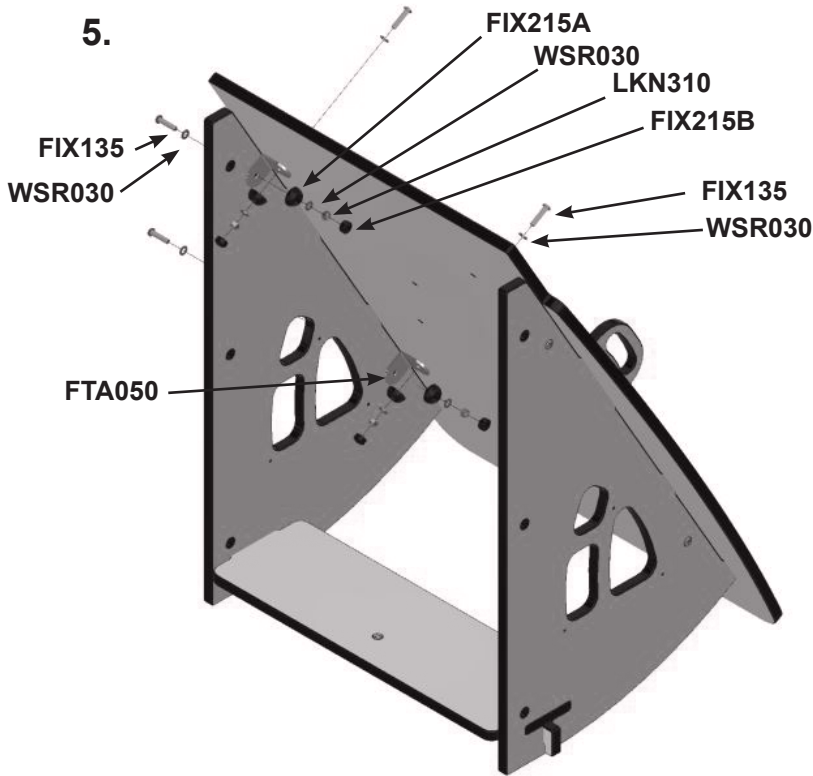


Ref	Description	Qty
WSR030	M8 Plain Washer	4
FIX135	M8 x 35 Security Bolt	2
FIX215A	M8 2 Part Cover - Base	2
LKN310	M8 Nyloc Nut	2
FIX215B	M8 2 Part Cover - Cap	2
FTA050	L-Bracket 50 x 50 St/St	1

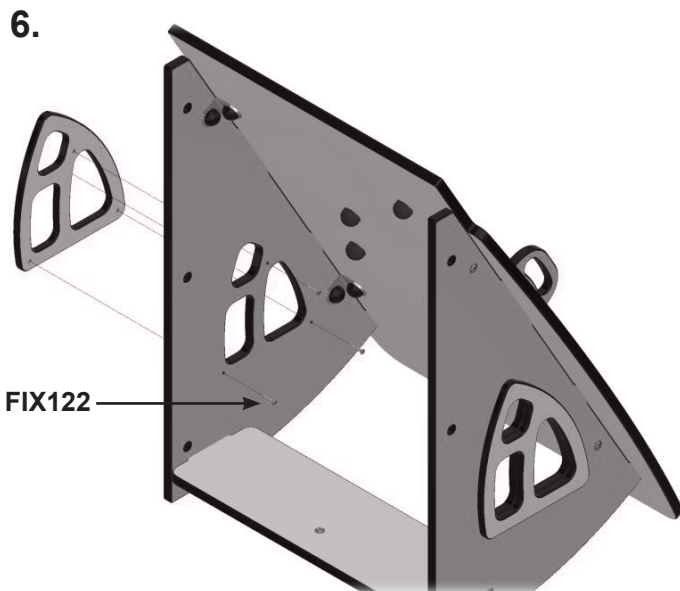
FTW024

Assembly Fixings

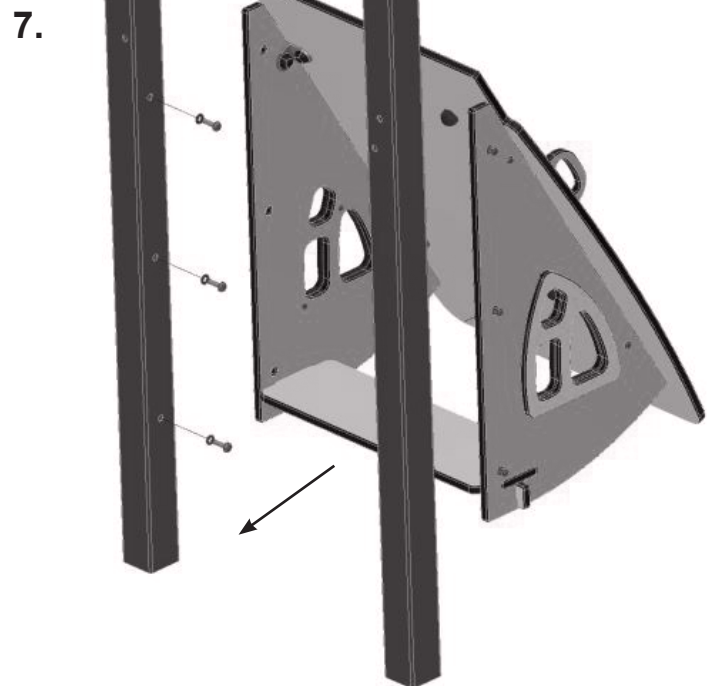
Climbing Wall Assembly.



Ref	Description	Qty
WSR030	M8 Plain Washer	16
FIX135	M8 x 35 Security Bolt	8
FIX215A	M8 2 Part Cover - Base	8
LKN310	M8 Nyloc Nut	8
FIX215B	M8 2 Part Cover - Cap	8
FTA050	L-Bracket 50 x 50 St/St	4



Ref	Description	Qty
FIX122	M5 x 25 Security Bolt	6

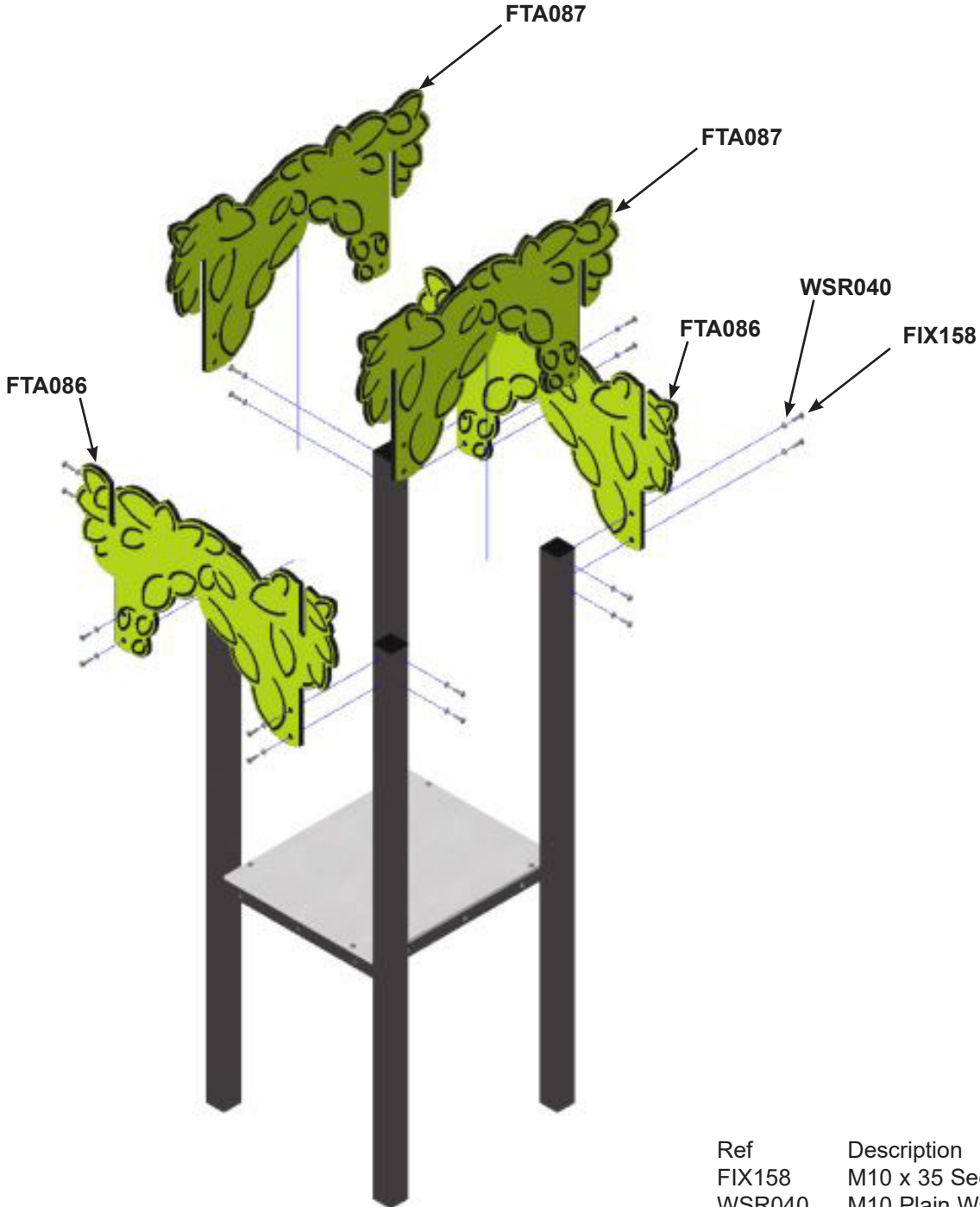


Ref	Description	Qty
WSR040	M10 Plain Washer	6
FIX158	M10 x 35 Security Bolt	6

FTW024

Assembly Fixings

Roof Assembly.



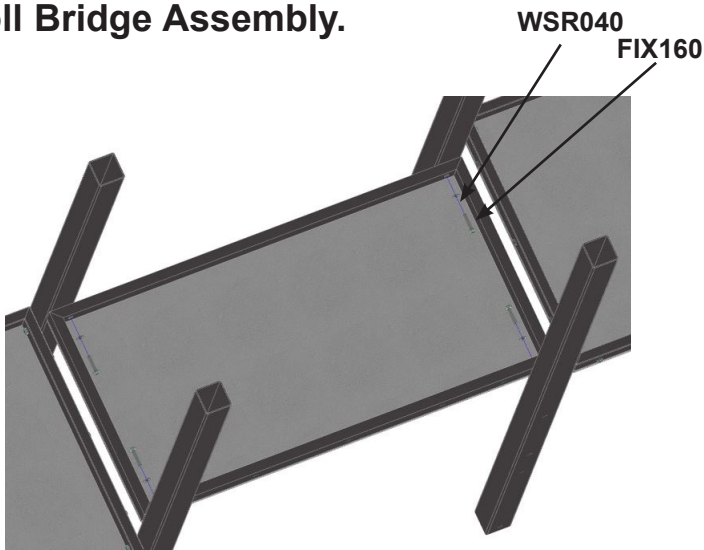
Ref	Description	Qty
FIX158	M10 x 35 Security Bolt	16
WSR040	M10 Plain Washer	16

FTW024

Assembly Fixings

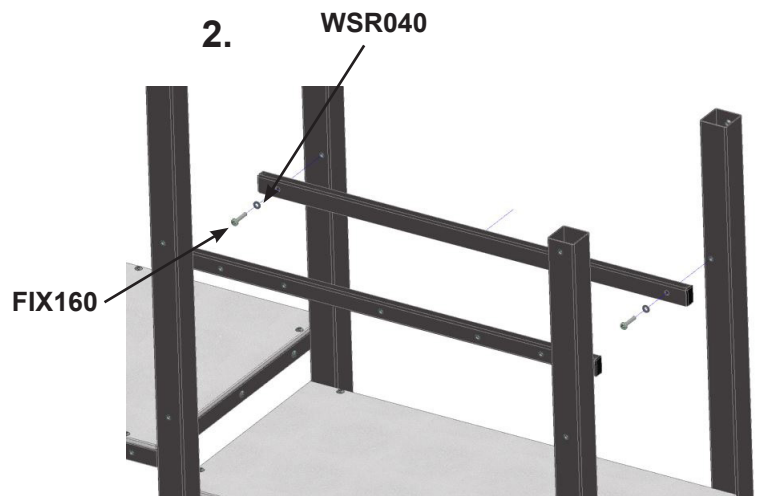
Troll Bridge Assembly.

1.



Ref	Description	Qty
WSR040	M10 Plain Washer	4
FIX160	M10 x 50 Security Bolt	4

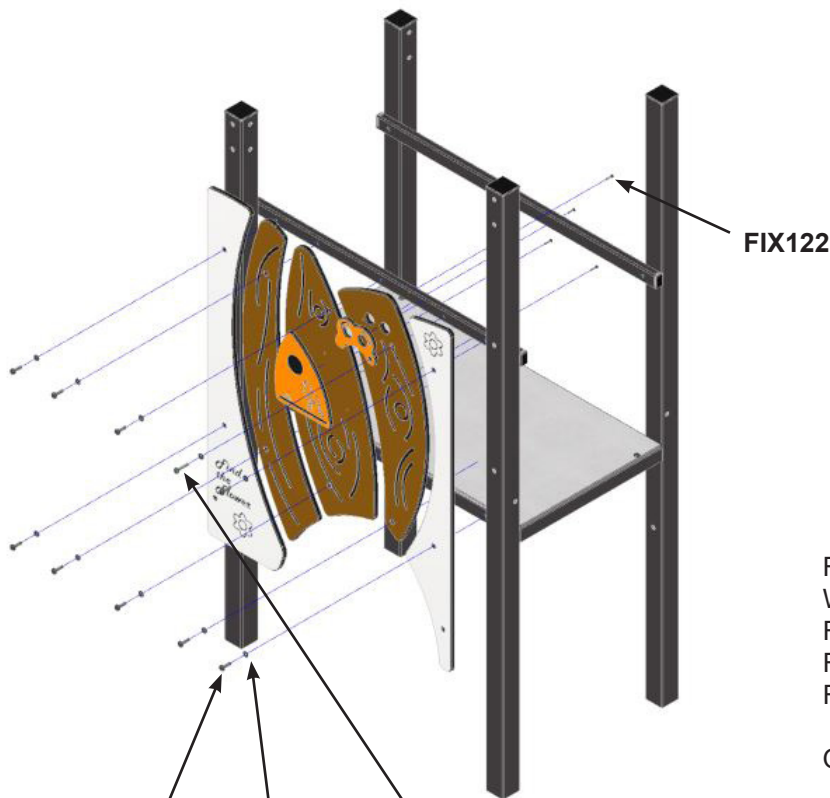
2.



Ref	Description	Qty
WSR040	M10 Plain Washer	2
FIX160	M10 x 50 Security Bolt	2

Qys shown per side.

3. NOTE: Ensure gaps between panels are equally spaced at the top 40-45mm apart.



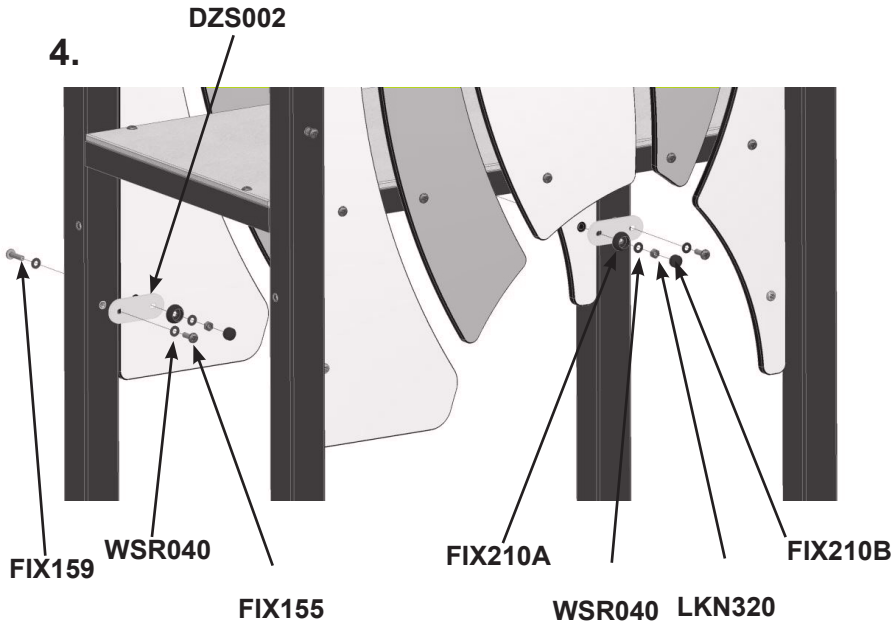
Ref	Description	Qty
WSR040	M10 Plain Washer	10
FIX160	M10 x 50 Security Bolt	1
FIX158	M10 x 35 Security Bolt	9
FIX122	M5 x 25 Security Bolt	4

Qtys shown per side.

FTW024

Assembly Fixings

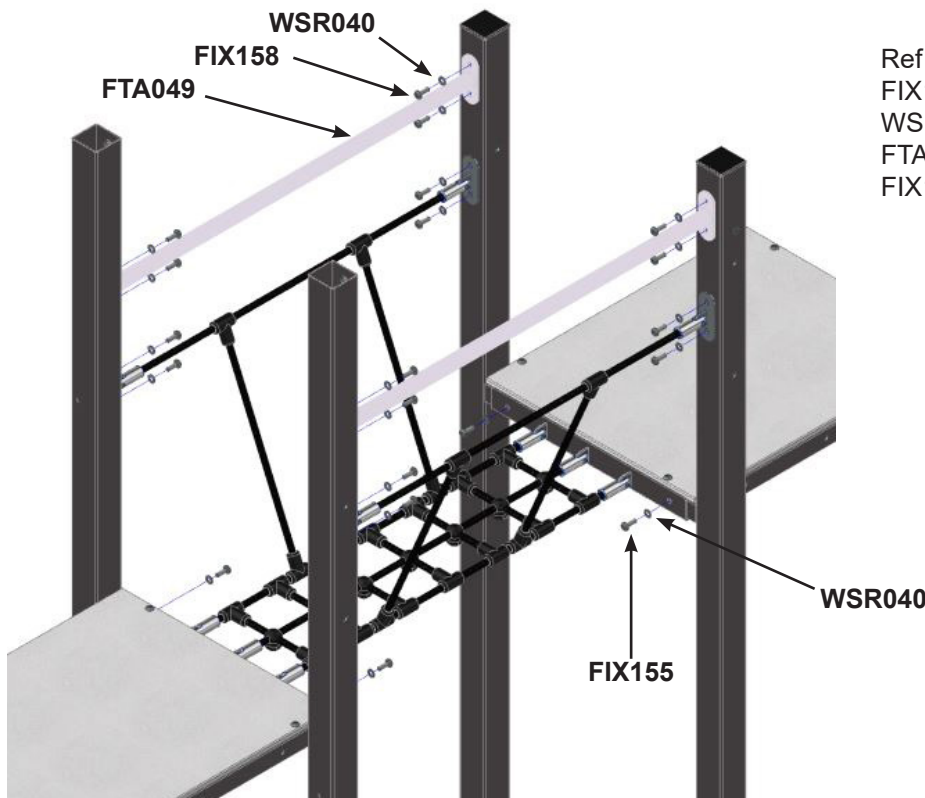
Troll Bridge Assembly.



Ref	Description	Qty
DZS002	TOT Mounting Plate	2
WSR040	M10 Plain Washer	6
LKN320	M10 Nyloc Nut	2
FIX155	M10 x 30 Security Bolt	2
FIX159	M10 x 40 Security Bolt	2
FIX210A	M10 Nut Cover	2
FIX210B	M10 Nut Cap	2

Qtys shown per side.

V-Bridge Assembly.



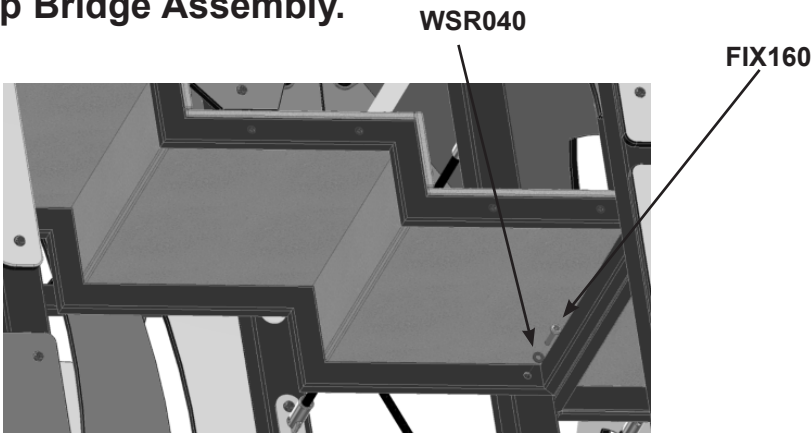
Ref	Description	Qty
FIX158	M10 x 35 Security Bolt	16
WSR040	M10 Plain Washer	20
FTA046	V-Bridge Deck Fixing Plate	2
FIX155	M10 x 30 Security Bolt	4

FTW024

Assembly Fixings

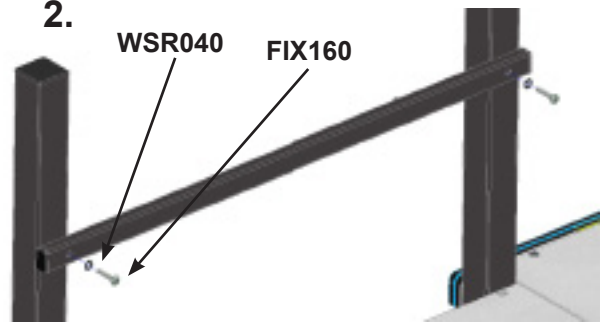
Step Bridge Assembly.

1.



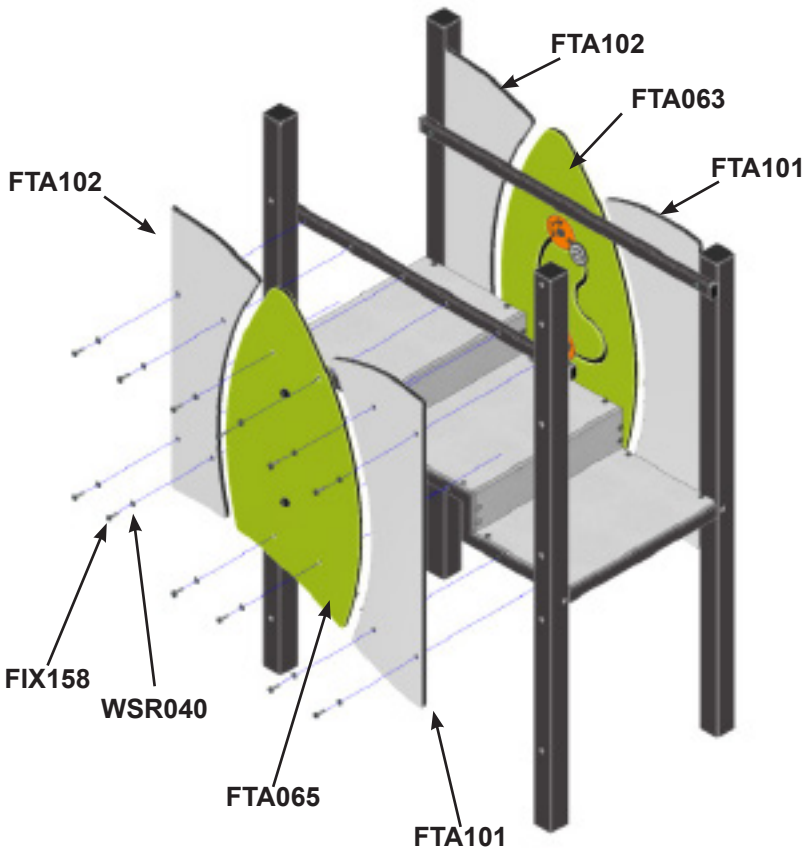
Ref	Description	Qty
WSR040	M10 Plain Washer	4
FIX160	M10 x 50 Security Bolt	4

2.



Ref	Description	Qty
WSR040	M10 Plain Washer	2
FIX160	M10 x 50 Security Bolt	2
FTA061	Step Bridge Support Rail	1

3. NOTE: Ensure gaps between panels are equally spaced at the top 40-45mm apart.



Ref	Description	Qty
WSR040	M10 Plain Washer	10
FIX158	M10 x 35 Security Bolt	10

Qtys shown per side.

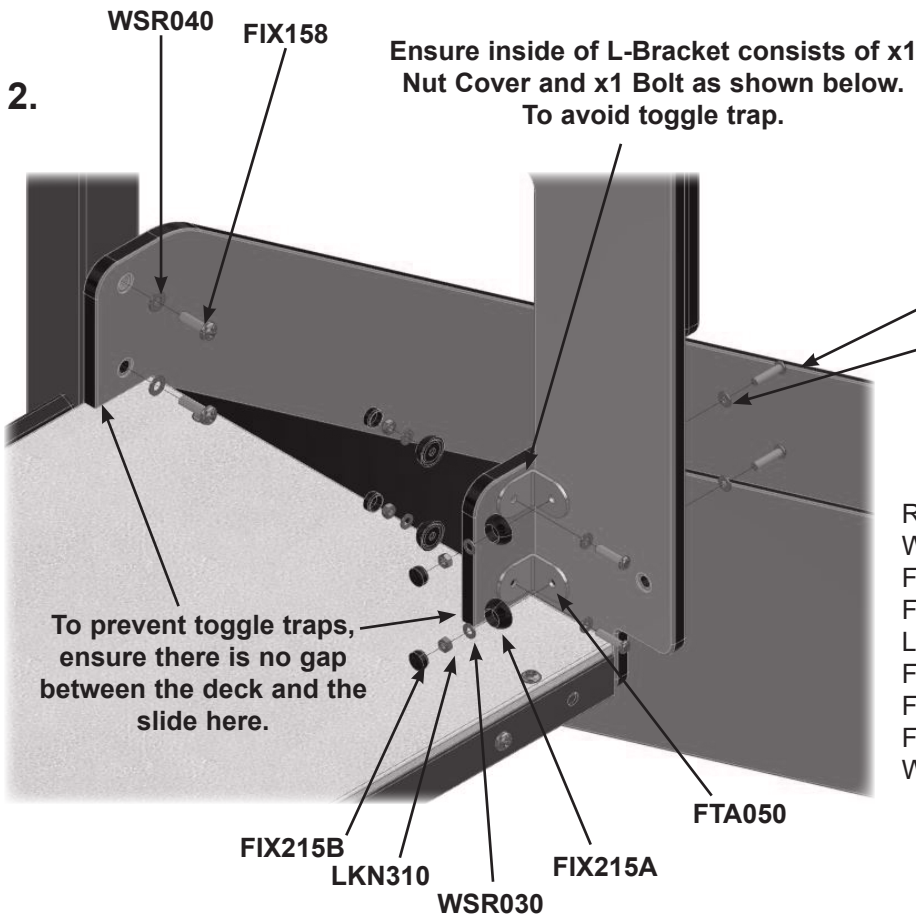
FTW024

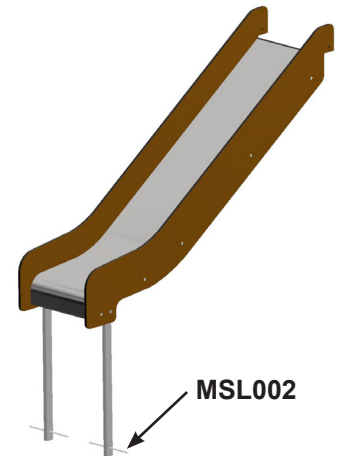
Slide Assembly

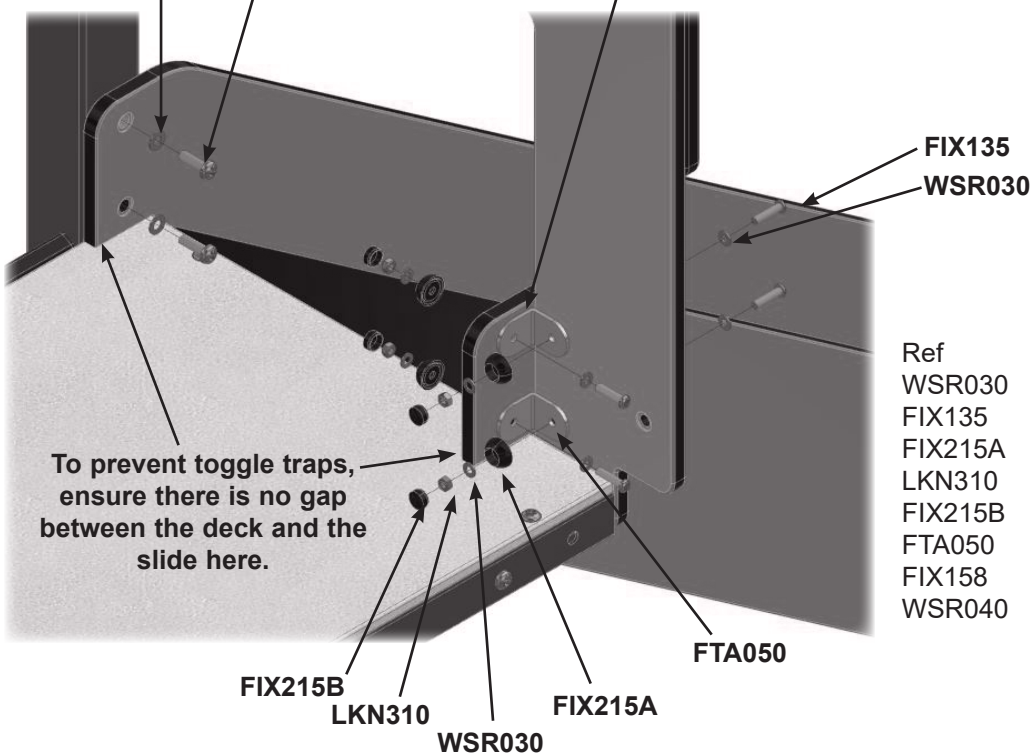
design
make
play
SutcliffePlay

1.  **Fit PED302 to slide sides as shown, prior to fixing slide to the entrance panel / post.**

Ref	Description	Qty
DZS005	M10 Nut Cover	2
LKN320	M10 Nyloc Nut	2
DZS009	M10 Step Washer	2
MCS355	M10 x 65 CSK Bolt	2
MSL002	200mm Spragging Iron	2

2.  **Ensure inside of L-Bracket consists of x1 Nut Cover and x1 Bolt as shown below. To avoid toggle trap.**



- To prevent toggle traps, ensure there is no gap between the deck and the slide here.**
- 

Ref	Description	Qty
WSR030	M8 Plain Washer	8
FIX135	M8 x 35 Security Bolt	4
FIX215A	M8 2 Part Cover - Base	4
LKN310	M8 Nyloc Nut	4
FIX215B	M8 2 Part Cover - Cap	4
FTA050	L-Bracket 50 x 50 St/St	2
FIX158	M10 x 35 Security Bolt	2
WSR040	M10 Plain Washer	2

FTW024

Unit

Maintenance Instructions

NOTE

The warranty is invalidated if these instructions are not followed.
All wood needs annual inspection and retreatment where required.

Recommended Regular Inspection and Maintenance

	Interval Days				
	7	14	28	56	365
Check stability of structure, tighten connections if required.	<input type="checkbox"/>	<input type="checkbox"/>	<input type="checkbox"/>	<input checked="" type="checkbox"/>	<input type="checkbox"/>
Check all uprights at ground level for corrosion and/or rot. Replace any defective parts.	<input type="checkbox"/>	<input type="checkbox"/>	<input type="checkbox"/>	<input type="checkbox"/>	<input checked="" type="checkbox"/>
Check all painted elements for damage, rub down and repaint or replace as required.	<input type="checkbox"/>	<input type="checkbox"/>	<input type="checkbox"/>	<input checked="" type="checkbox"/>	<input type="checkbox"/>
Check chain/ropework assemblies for wear and damage, replace if required.	<input type="checkbox"/>	<input checked="" type="checkbox"/>	<input type="checkbox"/>	<input type="checkbox"/>	<input type="checkbox"/>
Check rotating and pivot points for wear and smooth running lubricate or replace if required.	<input type="checkbox"/>	<input type="checkbox"/>	<input checked="" type="checkbox"/>	<input type="checkbox"/>	<input type="checkbox"/>
Check rubber parts for wear and/or damage, replace if required.	<input type="checkbox"/>	<input type="checkbox"/>	<input checked="" type="checkbox"/>	<input type="checkbox"/>	<input type="checkbox"/>
Check tension cables, adjust if required.	<input type="checkbox"/>	<input type="checkbox"/>	<input checked="" type="checkbox"/>	<input type="checkbox"/>	<input type="checkbox"/>
Check wear of cables, replace if required.	<input type="checkbox"/>	<input type="checkbox"/>	<input checked="" type="checkbox"/>	<input type="checkbox"/>	<input type="checkbox"/>
Check slide chutes for smoothness and any foreign elements, remove any found.	<input type="checkbox"/>	<input type="checkbox"/>	<input checked="" type="checkbox"/>	<input type="checkbox"/>	<input type="checkbox"/>
Check rubber safety surfaces for damage and poor performance, repair or replace if required.	<input type="checkbox"/>	<input type="checkbox"/>	<input type="checkbox"/>	<input checked="" type="checkbox"/>	<input type="checkbox"/>
Check loose fill safety surfaces, remove any foreign elements, rake level and top up if required.	<input type="checkbox"/>	<input type="checkbox"/>	<input checked="" type="checkbox"/>	<input type="checkbox"/>	<input type="checkbox"/>

Disposal Instructions

All components should be broken down into categories of:-

- 1 **Mild Steel** - all activities and frames
- 2 **Stainless Steel** - all Slides, Mirror Panels.
- 3 **Aluminium** - all Playzone and Toddlerzone Posts.
- 4 **Galvanised Steel** - all Chains and Teenzone Posts.
- 5 **Moulded Rubber Products without steel inserts** - all Toddlerzone Caps and edge details.
- 6 **Timber** - all natural timber, plywood, and MDF panels.

Wherever possible these materials should be taken to specialist recycling organisations and recycled.

In some cases where composite materials are used, then disposal at land fill sites is the only alternative such as:

- 7 **Moulded Rubber Products encasing steel inserts** - all Swing Seats, Deck Tops, Duo/Dizzy Disc Tops.
- 8 **High Pressure Laminate** - all Toddlerzone, Playzone and Teenzone Panels.
- 9 **Steel Core Polypropylene Rope** - all Scramble Nets, Space Nets, Playzone/Toddlerzone Ropes.
- 10 **High Density Polyethylene** - Fantasy Range Panels.